



 **BOSCH**

GBL Professional **HEAVY DUTY**

800 E | 82-270

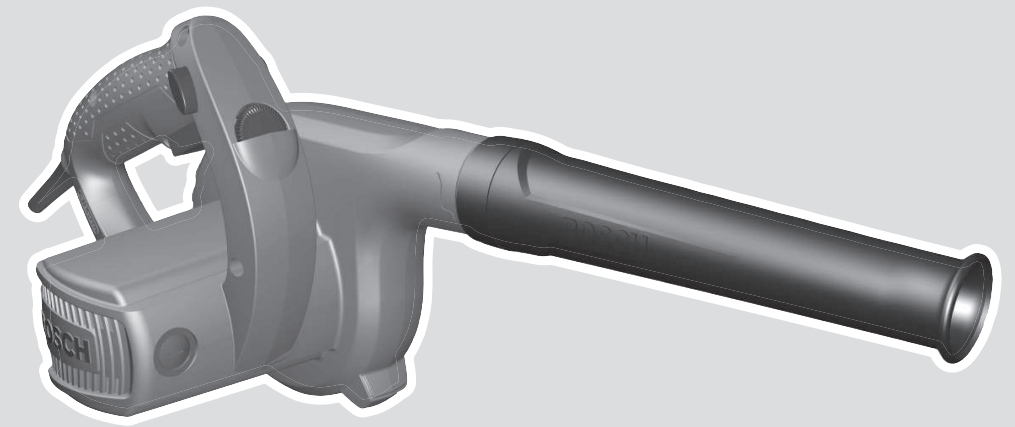
Robert Bosch Power Tools GmbH
70538 Stuttgart
GERMANY

www.bosch-pt.com

1 609 92A 83T (2023.04) T / 45



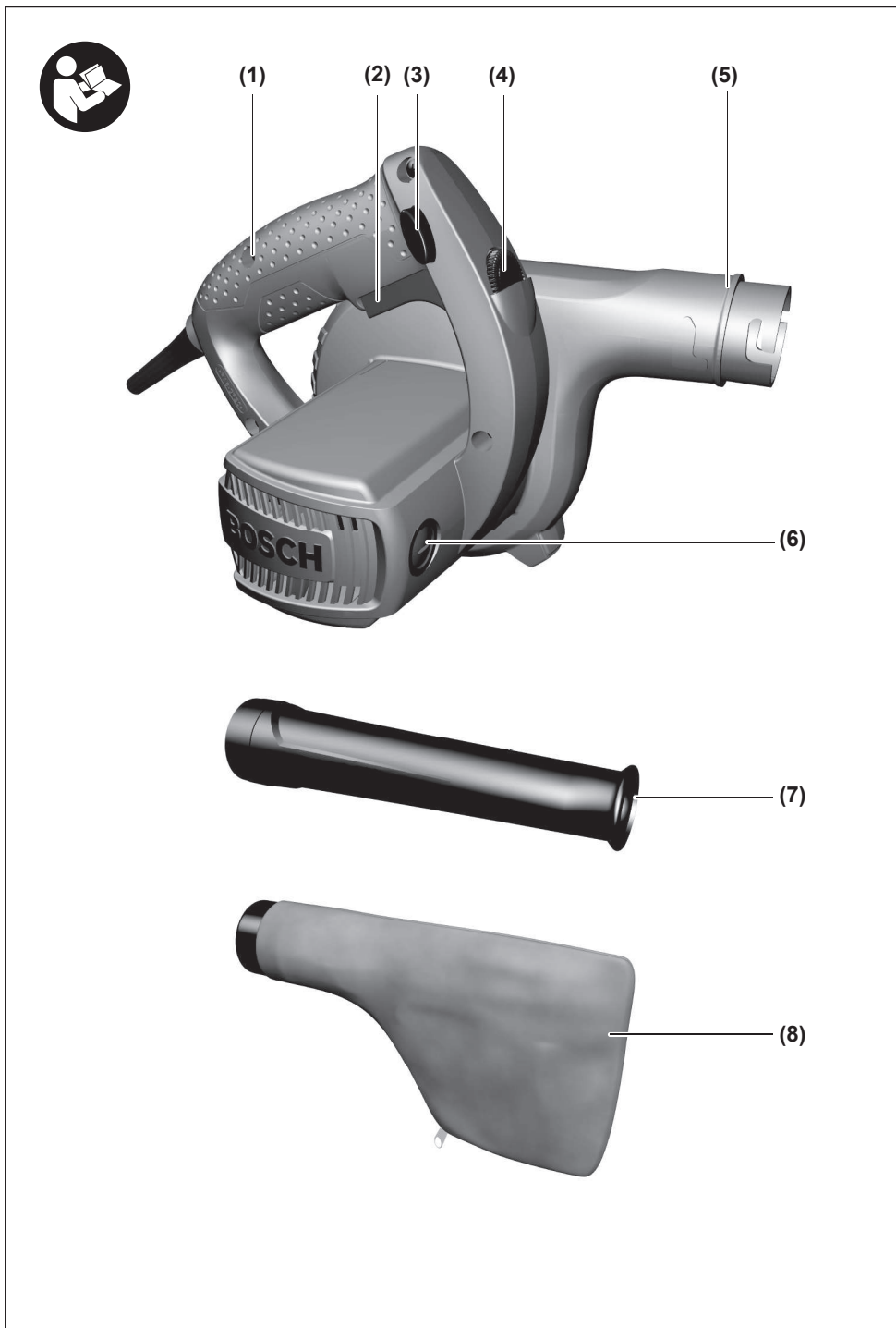
1 609 92A 83T

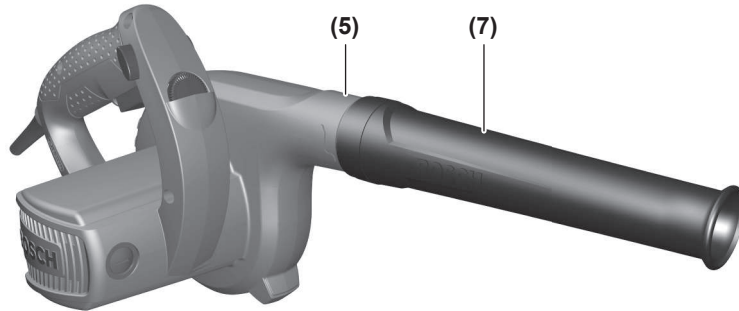
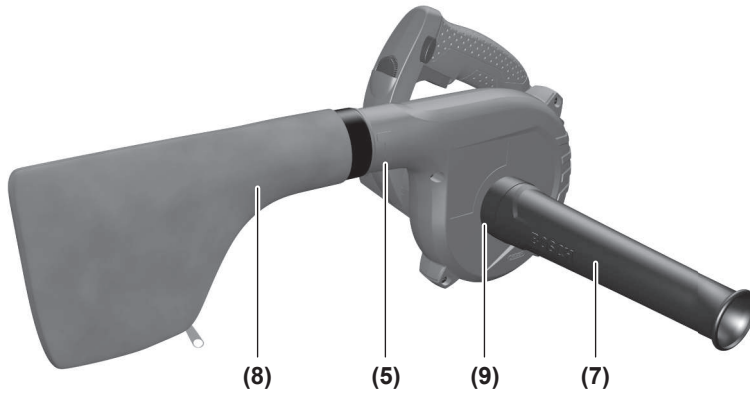
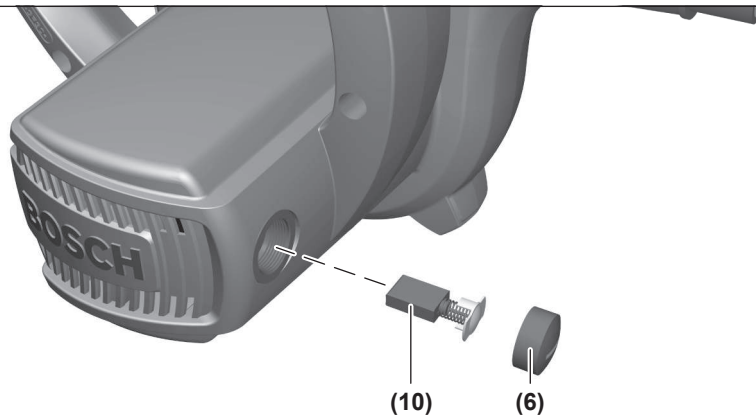


- en Original instructions
- es Manual original
- pt Manual de instruções original
- ja オリジナル取扱説明書
- zh 正本使用说明书
- zh 原始使用说明书
- ko 사용 설명서 원본
- th หนังสือคู่มือการใช้งานฉบับต้นแบบ
- id Petunjuk-Petunjuk untuk Penggunaan Orisinal
- vi Bản gốc hướng dẫn sử dụng
- ar دليل التشغيل الأصلي



English	Page	5
Español	Página	8
Português do Brasil	Página	13
日本語	ページ	17
中文	页	20
繁體中文	頁	23
한국어	페이지	26
ไทย	หน้า	29
Bahasa Indonesia	Halaman	34
Tiếng Việt	Trang	37
عربي	الصفحة	42



A**B****C**

English

Safety Instructions

General Power Tool Safety Warnings

⚠ WARNING Read all safety warnings, instructions, illustrations and specifications provided with this power tool. Failure to follow all instructions listed below may result in electric shock, fire and/or serious injury.

Save all warnings and instructions for future reference.

The term "power tool" in the warnings refers to your mains-operated (corded) power tool or battery-operated (cordless) power tool.

Work area safety

- ▶ **Keep work area clean and well lit.** Cluttered or dark areas invite accidents.
- ▶ **Do not operate power tools in explosive atmospheres, such as in the presence of flammable liquids, gases or dust.** Power tools create sparks which may ignite the dust or fumes.
- ▶ **Keep children and bystanders away while operating a power tool.** Distractions can cause you to lose control.

Electrical safety

- ▶ **Power tool plugs must match the outlet. Never modify the plug in any way. Do not use any adapter plugs with earthed (grounded) power tools.** Unmodified plugs and matching outlets will reduce risk of electric shock.
- ▶ **Avoid body contact with earthed or grounded surfaces, such as pipes, radiators, ranges and refrigerators.** There is an increased risk of electric shock if your body is earthed or grounded.
- ▶ **Do not expose power tools to rain or wet conditions.** Water entering a power tool will increase the risk of electric shock.
- ▶ **Do not abuse the cord. Never use the cord for carrying, pulling or unplugging the power tool. Keep cord away from heat, oil, sharp edges or moving parts.** Damaged or entangled cords increase the risk of electric shock.
- ▶ **When operating a power tool outdoors, use an extension cord suitable for outdoor use.** Use of a cord suitable for outdoor use reduces the risk of electric shock.
- ▶ **If operating a power tool in a damp location is unavoidable, use a residual current device (RCD) protected supply.** Use of an RCD reduces the risk of electric shock.

Personal safety

- ▶ **Stay alert, watch what you are doing and use common sense when operating a power tool. Do not use a power tool while you are tired or under the influence of drugs, alcohol or medication.** A moment of inatten-

tion while operating power tools may result in serious personal injury.

- ▶ **Use personal protective equipment. Always wear eye protection.** Protective equipment such as a dust mask, non-skid safety shoes, hard hat or hearing protection used for appropriate conditions will reduce personal injuries.
- ▶ **Prevent unintentional starting. Ensure the switch is in the off-position before connecting to power source and/or battery pack, picking up or carrying the tool.** Carrying power tools with your finger on the switch or energising power tools that have the switch on invites accidents.
- ▶ **Remove any adjusting key or wrench before turning the power tool on.** A wrench or a key left attached to a rotating part of the power tool may result in personal injury.
- ▶ **Do not overreach. Keep proper footing and balance at all times.** This enables better control of the power tool in unexpected situations.
- ▶ **Dress properly. Do not wear loose clothing or jewellery. Keep your hair and clothing away from moving parts.** Loose clothes, jewellery or long hair can be caught in moving parts.
- ▶ **If devices are provided for the connection of dust extraction and collection facilities, ensure these are connected and properly used.** Use of dust collection can reduce dust-related hazards.
- ▶ **Do not let familiarity gained from frequent use of tools allow you to become complacent and ignore tool safety principles.** A careless action can cause severe injury within a fraction of a second.

Power tool use and care

- ▶ **Do not force the power tool. Use the correct power tool for your application.** The correct power tool will do the job better and safer at the rate for which it was designed.
- ▶ **Do not use the power tool if the switch does not turn it on and off.** Any power tool that cannot be controlled with the switch is dangerous and must be repaired.
- ▶ **Disconnect the plug from the power source and/or remove the battery pack, if detachable, from the power tool before making any adjustments, changing accessories, or storing power tools.** Such preventive safety measures reduce the risk of starting the power tool accidentally.
- ▶ **Store idle power tools out of the reach of children and do not allow persons unfamiliar with the power tool or these instructions to operate the power tool.** Power tools are dangerous in the hands of untrained users.
- ▶ **Maintain power tools and accessories. Check for misalignment or binding of moving parts, breakage of parts and any other condition that may affect the power tool's operation. If damaged, have the power tool repaired before use.** Many accidents are caused by poorly maintained power tools.

- ▶ **Keep cutting tools sharp and clean.** Properly maintained cutting tools with sharp cutting edges are less likely to bind and are easier to control.
- ▶ **Use the power tool, accessories and tool bits etc. in accordance with these instructions, taking into account the working conditions and the work to be performed.** Use of the power tool for operations different from those intended could result in a hazardous situation.
- ▶ **Keep handles and grasping surfaces dry, clean and free from oil and grease.** Slippery handles and grasping surfaces do not allow for safe handling and control of the tool in unexpected situations.

Service

- ▶ **Have your power tool serviced by a qualified repair person using only identical replacement parts.** This will ensure that the safety of the power tool is maintained.

Safety instructions for blower

- ▶ **Do not vacuum or blow any harmful substances, e.g. beech or oak wood dust, rock dust or asbestos.** These substances are considered carcinogenic.
- ▶ **Do not vacuum or blow any liquids.** The penetration of liquids increases the risk of an electric shock.
- ▶ **Ensure that the workplace is well ventilated.**
- ▶ **Do not let children use the power tool unsupervised.** Children are at risk of injuring themselves this way.
- ▶ **Wear additional personal protective equipment such as protective glasses and a protective mask.** Wearing personal protection equipment appropriate to the conditions reduces your exposure to hazardous substances.



Products sold in GB only:

Your product is fitted with an BS 1363/A approved electric plug with internal fuse (ASTA approved to BS 1362).

If the plug is not suitable for your socket outlets, it should be cut off and an appropriate plug fitted in its place by an authorised customer service agent. The replacement plug should have the same fuse rating as the original plug.

The severed plug must be disposed of to avoid a possible shock hazard and should never be inserted into a mains socket elsewhere.

- ▶ **Do not expose power tools to rain or wet conditions.** Water entering a power tool will increase the risk of electric shock.

Technical Data

Blower	GBL 800 E	GBL 800 E	GBL 82-270
Article number	3 601 J80 454 3 601 J80 4B4	3 601 J80 484	3 601 J80 4..

- ▶ **If operating a power tool in a damp location is unavoidable, use a residual current device (RCD) protected supply.** Use of an RCD reduces the risk of electric shock.
- ▶ **Never use the power tool if the cable is damaged. Do not touch the damaged cable and pull out the mains plug if the cable is damaged while working.** Damaged cables increase the risk of an electric shock.
- ▶ **Do not crush the cable or run the device over it. Do not pull on the power cable to pull the plug out of the socket or to move the power tool.** Damaged cables increase the risk of an electric shock.
- ▶ **Pull the plug out of the socket before adjusting the tool settings, changing accessories, or storing the power tool.** Such preventive safety measures reduce the risk of starting the power tool accidentally.

Product Description and Specifications



Read all the safety and general instructions.

Failure to observe the safety and general instructions may result in electric shock, fire and/or serious injury.

Please observe the illustrations at the beginning of this operating manual.

Intended Use

The power tool is intended for vacuuming and blowing substances that are not hazardous to health.

The power tool is **not** suitable for vacuuming and blowing flammable materials, metal chips and sharp objects such as screws or nails.

Product features

The numbering of the product features refers to the diagram of the power tool on the graphics page.

- (1) Handle
- (2) On/off switch
- (3) Lock-on button for on/off switch
- (4) Thumbwheel for adjusting airflow
- (5) Air outlet
- (6) Caps for carbon brushes
- (7) Nozzle
- (8) Dust bag
- (9) Air inlet
- (10) Carbon brushes

Blower		GBL 800 E	GBL 800 E	GBL 82-270
Rated power input	W	800	820	820
Air volume	m ³ /min	4.5	4.5	4.5
Air pressure	mbar	0–72	0–72	0–72
Weight according to EPTA-Procedure 01:2014	kg	1.8	1.8	1.8
Protection class		□/II	□/II	□/II

The specifications apply to a rated voltage [U] of 230 V. These specifications may vary at different voltages and in country-specific models.

Values can vary depending upon the product and are subject to application and environmental conditions. For further information www.bosch-professional.com/wac.

Blower		GBL 800 E	GBL 800 E	GBL 800 E
Article number		3 601 J80 4E4	3 601 J80 4N4	3 601 J80 4P4
Rated power input	W	800	800	820
Rated voltage	V	220	220	220–240
Air volume	m ³ /min	4.5	4.5	4.5
Air pressure	mbar	0–72	0–72	0–72
Weight according to EPTA-Procedure 01:2014	kg	1.8	1.8	1.8
Protection class		□/II	□/II	□/II

The specifications apply to the specified rated voltages. These specifications may vary at different voltages and in country-specific models.

Values can vary depending upon the product and are subject to application and environmental conditions. For further information www.bosch-professional.com/wac.

Noise/Vibration Information

Noise emission values determined according to **EN 62841-1**.

Typically, the A-weighted noise level of the power tool is: Sound pressure level **89 dB(A)**; sound power level **100 dB(A)**. Uncertainty K = **3 dB**.

Wear hearing protection!

Vibration total values a_h (triax vector sum) and uncertainty K determined according to **EN 62841-1**:

$a_h < 2.5 \text{ m/s}^2$, K = **1.5 m/s²**.

The vibration level and noise emission value given in these instructions have been measured in accordance with a standardised measuring procedure and may be used to compare power tools. They may also be used for a preliminary estimation of vibration and noise emissions.

The stated vibration level and noise emission value represent the main applications of the power tool. However, if the power tool is used for other applications, with different application tools or is poorly maintained, the vibration level and noise emission value may differ. This may significantly increase the vibration and noise emissions over the total working period.

To estimate vibration and noise emissions accurately, the times when the tool is switched off or when it is running but not actually being used should also be taken into account. This may significantly reduce vibration and noise emissions over the total working period.

Implement additional safety measures to protect the operator from the effects of vibration, such as servicing the power tool and application tools, keeping their hands warm, and organising workflows correctly.

Operation

- ▶ **Pull the plug out of the socket before carrying out any work on the power tool.**
- ▶ **Products that are only sold in AUS and NZ:** Use a residual current device (RCD) with a nominal residual current of 30 mA or less.

Operating modes

Blowing (see figure A)

For the blowing operating mode, attach the nozzle (7) tightly onto the air outlet (5) as indicated by the arrow markings.

Vacuuming (see figure B)

For the vacuuming operating mode, attach the nozzle (7) tightly onto the air inlet (9) as indicated by the arrow markings.

Also ensure that the dust bag (8) is always attached to the air outlet (5).

Starting Operation

- ▶ **Pay attention to the mains voltage! The voltage of the power source must match the voltage specified on the rating plate of the power tool. Power tools marked with 230 V can also be operated with 220 V.**

Switching on/off

To **switch on** the power tool, press the on/off switch (2).

To **lock** the on/off switch (2), press and hold it while also pushing the lock-on button for the on/off switch (3).

To **switch off** the power tool, release the on/off switch (2). If the on/off switch (2) is locked, press the switch first and then release it.

Regulating airflow

Turn the thumbwheel (4) to set the required airflow:

- **Clockwise:** Increase the airflow
- **Anticlockwise:** Decrease the airflow

Working Advice

Ensure that the air inlet (9) cannot suck in any impurities while blowing is taking place.

Never vacuum without a dust bag.

Do not vacuum any sharp-edged or hot materials such as glass splinters, hot ashes or metal chips.

Empty the dust bag regularly when vacuuming. Observe environmental regulations when disposing of waste.

If the blower is not being used, close the air outlet with the dust collection bag to prevent dirt or foreign particles from getting into the blower housing.

The entry of solid material into the blowing section of the housing (even during storage) can result in the ventilator breaking and consequently lead to a rupture in the housing while the work is being carried out.

Maintenance and Service

Maintenance and Cleaning

- ▶ **Pull the plug out of the socket before carrying out any work on the power tool.**
- ▶ **To ensure safe and efficient operation, always keep the power tool and the ventilation slots clean.**

In order to avoid safety hazards, if the power supply cord needs to be replaced, this must be done by **Bosch** or by an after-sales service centre that is authorised to repair **Bosch** power tools.

Replacing the carbon brushes (see figure C)

Check the length of the carbon brushes around every 2–3 months and replace both carbon brushes if required.

Never replace only a single carbon brush.

Note: Only use carbon brushes supplied by Bosch and intended specifically for your product.

- Unscrew the caps (6) using a suitable screwdriver.
- Replace the spring-loaded carbon brushes (10) and screw the caps back on.

The criteria for replacing the carbon brushes: A dashed or dotted line is present on one large side of the carbon brush. If one of the two carbon brushes has been worn down to this line, both carbon brushes should be replaced immediately in order to protect the commutator from any potential damage.

After-Sales Service and Application Service

Our after-sales service responds to your questions concerning maintenance and repair of your product as well as spare parts. You can find explosion drawings and information on spare parts at: www.bosch-pt.com

The Bosch product use advice team will be happy to help you

with any questions about our products and their accessories.

In all correspondence and spare parts orders, please always include the 10-digit article number given on the nameplate of the product.

Malaysia

Robert Bosch Sdn. Bhd. (220975-V) PT/SMY

No. 8A, Jalan 13/6

46200 Petaling Jaya

Selangor

Tel.: (03) 79663194

Toll-Free: 1800 880188

Fax: (03) 79583838

E-Mail: kiathoe.chong@my.bosch.com

www.bosch-pt.com.my

You can find further service addresses at:

www.bosch-pt.com/serviceaddresses

Disposal

The power tool, accessories and packaging should be recycled in an environmentally friendly manner.



Do not dispose of power tools along with household waste.

Español

Indicaciones de seguridad

Indicaciones generales de seguridad para herramientas eléctricas

⚠ ADVERTENCIA Lea íntegramente las advertencias de peligro, las instrucciones, las ilustraciones y las especificaciones entregadas con esta herramienta eléctrica.

En caso de no atenerse a las instrucciones siguientes, ello puede ocasionar una descarga eléctrica, un incendio y/o una lesión grave.

Guardar todas las advertencias de peligro e instrucciones para futuras consultas.

El término "herramienta eléctrica" empleado en las siguientes advertencias de peligro se refiere a herramientas eléctricas de conexión a la red (con cable de red) y a herramientas eléctricas accionadas por acumulador (sin cable de red).

Seguridad del puesto de trabajo

- ▶ **Mantenga el área de trabajo limpia y bien iluminada.** Las áreas desordenadas u oscuras pueden provocar accidentes.
- ▶ **No utilice herramientas eléctricas en un entorno con peligro de explosión, en el que se encuentren combus-**

tibles líquidos, gases o material en polvo. Las herramientas eléctricas producen chispas que pueden llegar a inflamar los materiales en polvo o vapores.

- ▶ **Mantenga alejados a los niños y otras personas de su puesto de trabajo al emplear la herramienta eléctrica.** Una distracción le puede hacer perder el control sobre la herramienta eléctrica.

Seguridad eléctrica

- ▶ **El enchufe de la herramienta eléctrica debe corresponder a la toma de corriente utilizada. No es admisible modificar el enchufe en forma alguna. No emplear adaptadores en herramientas eléctricas dotadas con una toma de tierra.** Los enchufes sin modificar adecuados a las respectivas tomas de corriente reducen el riesgo de una descarga eléctrica.
- ▶ **Evite que su cuerpo toque partes conectadas a tierra como tuberías, radiadores, cocinas y refrigeradores.** El riesgo a quedar expuesto a una sacudida eléctrica es mayor si su cuerpo tiene contacto con tierra.
- ▶ **No esponga la herramienta eléctrica a la lluvia o a condiciones húmedas.** Existe el peligro de recibir una descarga eléctrica si penetran ciertos líquidos en la herramienta eléctrica.
- ▶ **No abuse del cable de red. No utilice el cable de red para transportar o colgar la herramienta eléctrica, ni tire de él para sacar el enchufe de la toma de corriente. Mantenga el cable de red alejado del calor, aceite, esquinas cortantes o piezas móviles.** Los cables de red dañados o enredados pueden provocar una descarga eléctrica.
- ▶ **Al trabajar con la herramienta eléctrica a la intemperie utilice solamente cables de prolongación apropiados para su uso al aire libre.** La utilización de un cable de prolongación adecuado para su uso en exteriores reduce el riesgo de una descarga eléctrica.
- ▶ **Si fuese imprescindible utilizar la herramienta eléctrica en un entorno húmedo, es necesario conectarla a través de un dispositivo de corriente residual (RCD) de seguridad (fusible diferencial).** La aplicación de un fusible diferencial reduce el riesgo a exponerse a una descarga eléctrica.

Seguridad de personas

- ▶ **Esté atento a lo que hace y emplee sentido común cuando utilice una herramienta eléctrica. No utilice la herramienta eléctrica si estuviese cansado, ni tampoco después de haber consumido drogas, alcohol o medicamentos.** El no estar atento durante el uso de la herramienta eléctrica puede provocar serias lesiones.
- ▶ **Utilice un equipo de protección personal. Utilice siempre una protección para los ojos.** El riesgo a lesionarse se reduce considerablemente si se utiliza un equipo de protección adecuado como una mascarilla antipolvo, zapatos de seguridad con suela antideslizante, casco, o protectores auditivos.
- ▶ **Evite una puesta en marcha involuntaria. Asegurarse de que la herramienta eléctrica esté desconectada an-**

tes de conectarla a la toma de corriente y/o al montar el acumulador, al recogerla y al transportarla. Si transporta la herramienta eléctrica sujetándola por el interruptor de conexión/desconexión, o si alimenta la herramienta eléctrica estando ésta conectada, ello puede dar lugar a un accidente.

- ▶ **Retire las herramientas de ajuste o llaves fijas antes de conectar la herramienta eléctrica.** Una herramienta de ajuste o llave fija colocada en una pieza rotante puede producir lesiones al poner a funcionar la herramienta eléctrica.
- ▶ **Evite posturas arriesgadas. Trabaje sobre una base firme y mantenga el equilibrio en todo momento.** Ello le permitirá controlar mejor la herramienta eléctrica en caso de presentarse una situación inesperada.
- ▶ **Lleve puesta una vestimenta de trabajo adecuada. No utilice vestimenta amplia ni joyas. Mantenga su pelo y vestimenta alejados de las piezas móviles.** La vestimenta suelta, el pelo largo y las joyas se pueden enganchar con las piezas en movimiento.
- ▶ **Si se proporcionan dispositivos para la conexión de las instalaciones de extracción y recogida de polvo, asegúrese que éstos estén conectados y que sean utilizados correctamente.** El empleo de estos equipos reduce los riesgos derivados del polvo.
- ▶ **No permita que la familiaridad ganada por el uso frecuente de herramientas eléctricas lo deje caer en la complacencia e ignoren las normas de seguridad de herramientas.** Una acción negligente puede causar lesiones graves en una fracción de segundo.

Uso y trato cuidadoso de herramientas eléctricas

- ▶ **No sobrecargue la herramienta eléctrica. Utilice la herramienta eléctrica adecuada para su aplicación.** Con la herramienta eléctrica adecuada podrá trabajar mejor y más seguro dentro del margen de potencia indicado.
- ▶ **No utilice la herramienta eléctrica si el interruptor está defectuoso.** Las herramientas eléctricas que no se puedan conectar o desconectar son peligrosas y deben hacerse reparar.
- ▶ **Saque el enchufe de la red y/o retire el acumulador desmontable de la herramienta eléctrica, antes de realizar un ajuste, cambiar de accesorio o al guardar la herramienta eléctrica.** Esta medida preventiva reduce el riesgo a conectar accidentalmente la herramienta eléctrica.
- ▶ **Guarde las herramientas eléctricas fuera del alcance de los niños. No permita la utilización de la herramienta eléctrica a aquellas personas que no estén familiarizadas con su uso o que no hayan leído estas instrucciones.** Las herramientas eléctricas utilizadas por personas inexpertas son peligrosas.
- ▶ **Cuide las herramientas eléctricas y los accesorios. Controle la alineación de las piezas móviles, rotura de piezas y cualquier otra condición que pudiera afectar el funcionamiento de la herramienta eléctrica. En caso de daño, la herramienta eléctrica debe repararse**

antes de su uso. Muchos de los accidentes se deben a herramientas eléctricas con un mantenimiento deficiente.

- ▶ **Mantenga los útiles limpios y afilados.** Los útiles mantenidos correctamente se dejan guiar y controlar mejor.
- ▶ **Utilice la herramienta eléctrica, los accesorios, los útiles, etc. de acuerdo a estas instrucciones, considerando en ello las condiciones de trabajo y la tarea a realizar.** El uso de herramientas eléctricas para trabajos diferentes de aquellos para los que han sido concebidas puede resultar peligroso.
- ▶ **Mantenga las empuñaduras y las superficies de las empuñaduras secas, limpias y libres de aceite y grasa.** Las empuñaduras y las superficies de las empuñaduras resbaladizas no permiten un manejo y control seguro de la herramienta eléctrica en situaciones imprevistas.

Servicio

- ▶ **Únicamente deje reparar su herramienta eléctrica por un experto cualificado, empleando exclusivamente piezas de repuesto originales.** Solamente así se mantiene la seguridad de la herramienta eléctrica.

Instrucciones de seguridad para ventiladores

- ▶ **No aspire ni sople ninguna sustancia perjudicial para la salud, p. ej. polvo de haya o de roble, polvo de piedra, amianto.** Estas sustancias son cancerígenas.
- ▶ **No aspire ni sople ningún líquido.** La penetración de líquidos aumenta el riesgo de una descarga eléctrica.
- ▶ **Observe que esté bien ventilado el puesto de trabajo.**
- ▶ **No deje que niños utilicen la herramienta eléctrica sin vigilancia.** Los niños pueden lesionarse.
- ▶ **Use equipo adicional de protección personal como gafas protectoras y máscara respiratoria.** La utilización de un equipo de protección adecuado reduce la exposición a sustancias peligrosas.



- ▶ **El enchufe macho de conexión, debe ser conectado solamente a un enchufe hembra de las mismas características técnicas del enchufe macho en materia.**
- ▶ **No exponga la herramienta eléctrica a la lluvia o a condiciones húmedas.** Existe el peligro de recibir una descarga eléctrica si penetran líquidos en la herramienta eléctrica.
- ▶ **Si fuese imprescindible utilizar la herramienta eléctrica en un entorno húmedo, es necesario conectarla a través de un dispositivo de corriente residual (RCD)**

de seguridad (fusible diferencial). La aplicación de un dispositivo de corriente residual (RCD) reduce el riesgo a exponerse a una descarga eléctrica.

- ▶ **No utilice la herramienta eléctrica si el cable está dañado. No toque un cable dañado y desconecte el enchufe de la red, si el cable se daña durante el trabajo.** Un cable dañado comporta un mayor riesgo de electrocución.
- ▶ **No aplaste ni pase por sobre el cable. No tire del cable para sacar el enchufe de la caja de enchufe o para mover la herramienta eléctrica.** Un cable dañado comporta un mayor riesgo de electrocución.
- ▶ **Retire el enchufe de la caja de enchufe antes de realizar ajustes en el aparato, cambiar accesorios o guardar la herramienta eléctrica.** Esta medida preventiva reduce el riesgo a conectar accidentalmente la herramienta eléctrica.

Descripción del producto y servicio



Lea integralmente estas indicaciones de seguridad e instrucciones. Las faltas de observación de las indicaciones de seguridad y de las instrucciones pueden causar descargas eléctricas, incendios y/o lesiones graves.

Por favor, observe las ilustraciones en la parte inicial de las instrucciones de servicio.

Utilización reglamentaria

La herramienta eléctrica es apropiada para aspirar y soplar sustancias que no sean nocivas para la salud.

La herramienta eléctrica **no** es apropiada para aspirar y soplar materiales inflamables, virutas de metal y objetos afilados, como tornillos o clavos.

Componentes principales

La numeración de los componentes representados se refiere a la imagen de la herramienta eléctrica en la página ilustrada.

- (1) Empuñadura
- (2) Interruptor de conexión/desconexión
- (3) Tecla de enclavamiento del interruptor de conexión/desconexión
- (4) Rueda de ajuste del caudal de aire
- (5) Salida de aire
- (6) Tapas de escobillas
- (7) Boquilla
- (8) Saco para polvo
- (9) Entrada de aire
- (10) Escobillas

Datos técnicos

Ventilador		GBL 800 E	GBL 800 E	GBL 82-270
Número de artículo		3 601 J80 454 3 601 J80 4B4	3 601 J80 484	3 601 J80 4..
Potencia absorbida nominal	W	800	820	820
Volumen de aire	m ³ /min	4,5	4,5	4,5
Presión de aire	mbar	0-72	0-72	0-72
Peso según EPTA-Procedure 01:2014	kg	1,8	1,8	1,8
Clase de protección		□/II	□/II	□/II

Las indicaciones son válidas para una tensión nominal [U] de 230 V. Estas indicaciones pueden variar con tensiones divergentes y en ejecuciones específicas del país.

Los valores pueden variar dependiendo del producto y están sujetos a la aplicación y a las condiciones medioambientales. Más información en www.bosch-professional.com/wac.

Ventilador		GBL 800 E	GBL 800 E	GBL 800 E
Número de artículo		3 601 J80 4E4	3 601 J80 4N4	3 601 J80 4P4
Potencia absorbida nominal	W	800	800	820
Tensión nominal	V	220	220	220-240
Volumen de aire	m ³ /min	4,5	4,5	4,5
Presión de aire	mbar	0-72	0-72	0-72
Peso según EPTA-Procedure 01:2014	kg	1,8	1,8	1,8
Clase de protección		□/II	□/II	□/II

Las especificaciones son válidas para las tensiones nominales indicadas. Estas indicaciones pueden variar con tensiones divergentes y en ejecuciones específicas del país.

Los valores pueden variar dependiendo del producto y están sujetos a la aplicación y a las condiciones medioambientales. Más información en www.bosch-professional.com/wac.

Información sobre ruidos y vibraciones

Valores de emisión de ruidos determinados según **EN 62841-1**.

El nivel de ruidos valorado con A de la herramienta eléctrica asciende típicamente a: nivel de presión acústica **89 dB(A)**; nivel de potencia acústica **100 dB(A)**. Inseguridad K = **3 dB**.

¡Llevar orejeras!

Valores totales de vibraciones a_h (suma de vectores de tres direcciones) e inseguridad K determinados según **EN 62841-1**:

$a_h < 2,5 \text{ m/s}^2$, K = **1,5 m/s²**.

El nivel de vibraciones y el valor de emisiones de ruidos indicados en estas instrucciones han sido determinados según un procedimiento de medición normalizado y pueden servir como base de comparación con otras herramientas eléctricas. También son adecuados para estimar provisionalmente la emisión de vibraciones y ruidos.

El nivel de vibraciones y el valor de emisiones de ruidos indicados han sido determinados para las aplicaciones principales de la herramienta eléctrica. Por ello, el nivel de vibraciones y el valor de emisiones de ruidos pueden ser diferentes si la herramienta eléctrica se utiliza para otras aplicaciones, con útiles diferentes, o si el mantenimiento de la misma fuese deficiente. Ello puede suponer un aumento drástico de la emisión de vibraciones y de ruidos durante el tiempo total de trabajo.

Para determinar con exactitud las emisiones de vibraciones y de ruidos, es necesario considerar también aquellos tiempos en los que el aparato esté desconectado, o bien, esté en funcionamiento, pero sin ser utilizado realmente. Ello puede suponer una disminución drástica de las emisiones de vibraciones y de ruidos durante el tiempo total de trabajo.

Fije unas medidas de seguridad adicionales para proteger al usuario de los efectos por vibraciones, como por ejemplo: Mantenimiento de la herramienta eléctrica y de los útiles, conservar calientes las manos, organización de las secuencias de trabajo.

Operación

- **Antes de cualquier manipulación en la herramienta eléctrica, sacar el enchufe de red de la toma de corriente.**

Modos de operación

Soplar (ver figura A)

Para el modo de operación soplar, inserte la boquilla (7) según la marca de flecha firmemente sobre la salida de aire (5).

Aspirar (ver figura B)

Para el modo de operación aspirar, inserte la boquilla (7) según la marca de flecha firmemente sobre la entrada de aire (9).

Inserte siempre adicionalmente la bolsa colector de polvo **(8)** sobre la salida de aire **(5)**.

Puesta en marcha

- **¡Observe la tensión de alimentación! La tensión de la fuente de corriente deberá coincidir con las indicaciones en la placa de características de la herramienta eléctrica. Las herramientas eléctricas marcadas con 230 V pueden funcionar también a 220 V.**

Conexión/desconexión

Para **conectar** la herramienta eléctrica, presione el interruptor de conexión/desconexión **(2)**.

Para la **retención** del interruptor de conexión/desconexión **(2)**, manténgalo oprimido y presione adicionalmente la tecla de retención para el interruptor de conexión/desconexión **(3)**.

Para **desconectar** la herramienta eléctrica, suelte el interruptor de conexión/desconexión **(2)**. En caso de que el interruptor de conexión/desconexión **(2)** esté bloqueado, presiónelo primero y suéltelo a continuación.

Regulación del caudal de aire

Gire la rueda de ajuste **(4)**, para ajustar el caudal de aire deseado:

- **en sentido horario:** aumento de caudal de aire
- **en contra del sentido horario:** reducción de caudal de aire

Instrucciones para la operación

Asegúrese de que la entrada de aire **(9)** no pueda absorber ninguna impureza durante el soplado.

Jamás aspire sin tener montado el saco colector de polvo.

No aspire materiales de cantos vivos o calientes, como fragmentos de vidrio, cenizas calientes o virutas de metal.

Si utiliza el aparato para aspirar, vacíe el saco colector de polvo con regularidad. Al desechar el material aspirado tenga en cuenta las directrices para protección del medio ambiente.

Si no se usa el soplador, cierre la salida de aire con la bolsa colector de polvo para evitar la entrada de suciedad o partículas extrañas en la carcasa del ventilador.

Toda entrada de material sólido en la cámara del soplador (también durante el almacenamiento) puede conducir a la rotura del ventilador y, en consecuencia, a una rotura de la carcasa durante el trabajo.

Mantenimiento y servicio

Mantenimiento y limpieza

- **Antes de cualquier manipulación en la herramienta eléctrica, sacar el enchufe de red de la toma de corriente.**
- **Mantenga limpia la herramienta eléctrica y las rejillas de refrigeración para trabajar con eficacia y seguridad.**

Si es necesario reemplazar el cable de conexión, entonces esto debe ser realizado por **Bosch** o por un servicio técnico autorizado para herramientas eléctricas **Bosch**, para evitar riesgos de seguridad.

Sustitución de las escobillas de carbón (ver figura C)

Verifique la longitud de las escobillas de carbón aprox. cada 2–3 meses, y sustituya las dos escobillas de carbón si procede.

¡Jamás sustituya solamente una escobilla!

Indicación: Únicamente emplee unas escobillas de carbón adquiridas a través de Bosch para este producto.

- Suelte las caperuzas **(6)** con un destornillador adecuado.
- Reemplace las escobillas de carbón **(10)** que se encuentran bajo presión de muelle y atornille de nuevo las caperuzas.

Criterio para la sustitución de las escobillas de carbón:

En una de las superficies laterales grandes de la escobilla de carbón se puede reconocer una línea segmentada o punteada. Si una de las escobillas se hubiese desgastado hasta esta línea, deberán sustituirse de inmediato ambas escobillas para proteger el colector de posibles daños.

Servicio técnico y atención al cliente

El servicio técnico le asesorará en las consultas que pueda Ud. tener sobre la reparación y mantenimiento de su producto, así como sobre piezas de recambio. Las representaciones gráficas tridimensionales e informaciones de repuestos se encuentran también bajo: **www.bosch-pt.com**

El equipo asesor de aplicaciones de Bosch le ayuda gustosamente en caso de preguntas sobre nuestros productos y sus accesorios.

Para cualquier consulta o pedido de piezas de repuesto es imprescindible indicar el nº de artículo de 10 dígitos que figura en la placa de características del producto.

México

Robert Bosch S. de R.L. de C.V.
Calle Robert Bosch No. 405
C.P. 50071 Zona Industrial, Toluca - Estado de México
Tel.: (52) 55 528430-62
Tel.: 800 6271286
www.boschherramientas.com.mx

Direcciones de servicio adicionales se encuentran bajo:

www.bosch-pt.com/serviceaddresses

Eliminación

Recomendamos que las herramientas eléctricas, accesorios y embalajes sean sometidos a un proceso de recuperación que respete el medio ambiente.



¡No arroje las herramientas eléctricas a la basura!

NOM

El símbolo es solamente válido, si también se encuentra sobre la placa de características del producto/fabricado.

Português do Brasil

Indicações de segurança

Instruções gerais de segurança para ferramentas elétricas

AVISO

Leia todas as indicações de segurança, instruções, ilustrações e especificações fornecidas com esta ferramenta elétrica. O desrespeito das instruções apresentadas abaixo poderá resultar em choque elétrico, incêndio e/ou ferimentos graves.

Guarde todas as advertências e instruções para futura referência.

O termo "ferramenta elétrica" em todos os avisos listados abaixo referem-se a ferramenta alimentada através de seu cordão de alimentação ou a ferramenta operada a bateria (sem cordão).

Segurança da área de trabalho

- ▶ **Mantenha a área de trabalho limpa e bem iluminada.** As áreas de trabalho desarrumadas ou escuras podem levar a acidentes.
- ▶ **Não opere as ferramentas elétricas em atmosferas explosivas, ou seja, na presença de líquidos, gases ou pó inflamáveis.** As ferramentas criam faíscas que podem inflamar a poeira ou os vapores.
- ▶ **Mantenha as crianças e outras pessoas afastadas da ferramenta elétrica durante o uso.** As distrações podem resultar na perda do controle.

Segurança elétrica

- ▶ **Os plugues da ferramenta devem ser compatíveis com as tomadas. Nunca modifique o plugue. Não use plugues de adaptador com ferramentas aterradas.** Os plugues sem modificações aliados a utilização de tomadas compatíveis reduzem o risco de choque elétrico.
- ▶ **Evite o contato do corpo com superfícies aterradas, como tubos, aquecedores, fogões e geladeiras.** Há um risco elevado de choque elétrico se seu corpo estiver aterrado.
- ▶ **Mantenha as ferramentas elétricas afastadas da chuva ou umidade.** A entrada de água em uma ferramenta elétrica aumenta o risco de choque elétrico.
- ▶ **Não use o cabo para outras finalidades. Jamais use o cabo para transportar, puxar ou desconectar a ferramenta elétrica. Mantenha o cabo afastado do**

calor, do óleo, de arestas afiadas ou de partes móveis.

Os cabos danificados ou emaranhados aumentam o risco de um choque elétrico.

- ▶ **Ao operar uma ferramenta elétrica ao ar livre, use um cabo de extensão adequado para áreas exteriores.** O uso de um cabo de extensão apropriado para áreas exteriores reduz o risco de choque elétrico.
- ▶ **Se não for possível evitar o funcionamento da ferramenta elétrica em áreas úmidas, utilizar uma alimentação protegida por um dispositivo de corrente diferencial residual (DR).** O uso de um DR reduz o risco de um choque elétrico.

Segurança pessoal

- ▶ **Fique atento, olhe o que está fazendo e use o bom senso ao operar uma ferramenta. Não use uma ferramenta elétrica quando estiver cansado ou sob a influência de drogas, álcool ou medicamentos.** Um momento de desatenção enquanto opera uma ferramenta pode resultar em graves ferimento pessoal.
- ▶ **Use equipamento de proteção individual. Use sempre óculos de proteção.** O uso de equipamento de proteção individual, como máscara de proteção contra poeira, sapatos de segurança antiderrapantes, capacete de segurança ou proteção auricular, usado nas condições adequadas irá reduzir o risco de ferimentos pessoais.
- ▶ **Evite a partida não intencional. Assegure-se de que o interruptor está na posição de desligado antes de conectar o plugue na tomada e/ou bateria, pegar ou carregar a ferramenta.** Carregar as ferramentas com o seu dedo no interruptor ou conectar as ferramentas que apresentam interruptor na posição "ligado", são convites a acidentes.
- ▶ **Remova qualquer ferramenta ou chave de ajuste antes de ligar a ferramenta elétrica.** Uma ferramenta ou chave ainda ligada a uma parte rotativa da ferramenta elétrica pode resultar em ferimentos pessoais.
- ▶ **Evite uma posição anormal. Mantenha uma posição firme e mantenha sempre o equilíbrio.** Desta forma é mais fácil controlar a ferramenta elétrica em situações inesperadas.
- ▶ **Use vestuário apropriado. Não use roupa larga nem joias. Mantenha seus cabelos e roupas afastados de partes móveis.** As roupas largas, joias ou cabelos longos podem ser agarrados por partes móveis.
- ▶ **Se for possível montar dispositivos de aspiração ou de coleta, assegure-se de que são conectados e usados corretamente.** O uso de um dispositivo de coleta de poeira pode reduzir os riscos associados a poeiras.
- ▶ **Não deixe que a familiaridade resultante do uso frequente de ferramentas permita que você se torne complacente e ignore os princípios de segurança da ferramenta.** Uma ação descuidada pode causar ferimentos graves numa fração de segundo.

Uso e manuseio cuidadoso da ferramenta elétrica

- ▶ **Não sobrecarregue a ferramenta elétrica. Use a ferramenta elétrica correta para a sua aplicação. É**

melhor e mais seguro trabalhar com a ferramenta elétrica apropriada na área de potência para a qual foi projetada.

- ▶ **Não use a ferramenta elétrica se o interruptor estiver defeituoso.** Qualquer ferramenta elétrica que não pode mais ser controlada com o interruptor é perigosa e deve ser reparada.
- ▶ **Desconecte o plugue da alimentação e/ou remova a bateria, se removível, da ferramenta elétrica antes de efetuar ajustes, trocar acessórios ou guardar as ferramentas elétricas.** Tais medidas de segurança preventivas reduzem o risco de se ligar a ferramenta acidentalmente.
- ▶ **Guarde as ferramentas elétricas não utilizadas fora do alcance das crianças e não permita que as pessoas que não estejam familiarizadas com a ferramenta elétrica ou com essas instruções usem a ferramenta elétrica.** As ferramentas elétricas são perigosas nas mãos de usuários não treinados.
- ▶ **Trate as ferramentas elétricas e acessórios com cuidado.** Cheque o desalinhamento ou coesão das partes móveis, rachaduras e qualquer outra condição que possa afetar a operação da ferramenta. Se houver danos, repare a ferramenta elétrica antes do uso. Muitos acidentes são causados por ferramentas elétricas com manutenção inadequada.
- ▶ **Mantenha as ferramentas de corte afiadas e limpas.** As ferramentas de corte cuidadosamente mantidas e com arestas de corte afiadas emperram com menos frequência e são mais fáceis de controlar.
- ▶ **Use a ferramenta elétrica, acessórios, bits etc. de acordo com essas instruções, considerando as condições de trabalho e o trabalho a executar.** O uso da ferramenta elétrica em tarefas diferentes das previstas poderá resultar em uma situação perigosa.
- ▶ **Mantenha as empunhadadeiras e as superfícies de agarrar secas, limpas e livres de óleo e graxa.** As empunhadadeiras e superfícies de agarrar escorregadias não permitem o manuseio e controle seguros da ferramenta em situações inesperadas.

Serviço

- ▶ **Somente permita que a sua ferramenta elétrica seja reparada por pessoal qualificado e usando peças de reposição originais.** Só dessa forma é assegurada a segurança da ferramenta elétrica.

Instruções de segurança para o soprador

- ▶ **Não aspire nem sobre substâncias prejudiciais à saúde, como p. ex., pó de madeira de faia ou de carvalho, pó de pedra, amianto.** Essas substâncias são cancerígenas.
- ▶ **Não aspire nem sobre líquidos.** A penetração de líquidos aumenta o risco de um choque elétrico.
- ▶ **Providencie uma boa ventilação no local de trabalho.**
- ▶ **Não deixe que crianças usem a ferramenta elétrica sem vigilância.** As crianças podem sofrer ferimentos.

- ▶ **Use equipamento de proteção pessoal adicional, como óculos de proteção e máscara de proteção respiratória.** Usar equipamentos de proteção para as condições correspondentes reduz a exposição a substâncias perigosas.



- ▶ **Não exponha a ferramenta à chuva ou às condições úmidas.** A água entrando na ferramenta aumenta o risco de choque elétrico.
- ▶ **Se não for possível evitar o funcionamento da ferramenta elétrica em áreas úmidas, utilizar uma alimentação protegida por um dispositivo de corrente diferencial residual (DR).** O uso de um DR reduz o risco de um choque elétrico.
- ▶ **Não use a ferramenta elétrica com o cabo danificado. Não toque no cabo danificado e retire o plugue da tomada se o cabo for danificado durante o trabalho.** Cabos danificados aumentam o risco de um choque elétrico.
- ▶ **Não atropelar nem esmagar o cabo. Não puxe pelo cabo para retirar a ficha da tomada nem para deslocar a ferramenta elétrica.** Cabos danificados aumentam o risco de um choque elétrico.
- ▶ **Retire o plugue da tomada antes de fazer ajustes na ferramenta, substituir acessórios ou remover a ferramenta elétrica.** Esta medida de segurança evita que a ferramenta elétrica ligue involuntariamente.

Descrição do produto e especificações



Ler todas as indicações de segurança e instruções. O desrespeito das advertências e das instruções de segurança apresentadas abaixo pode causar choque elétrico, incêndio e/ou graves lesões.

Respeite as ilustrações na parte da frente do manual de instruções.

Utilização adequada

A ferramenta elétrica é indicada para aspirar e soprar substâncias não prejudiciais à saúde.

A ferramenta elétrica **não** é indicada para aspirar e soprar materiais inflamáveis, lascos de metal e objetos pontiagudos, como parafusos ou pregos.

Componentes ilustrados

A numeração dos componentes ilustrados se refere à representação da ferramenta elétrica na página de esquemas.

- (1) Punho

- (2) Interruptor de ligar/desligar
- (3) Botão de segurança do interruptor de ligar/desligar
- (4) Roda de ajuste para regular o caudal de ar
- (5) Saída de ar
- (6) Capas para escovas de carvão
- (7) Bocal
- (8) Saco de pó
- (9) Entrada de ar
- (10) Escovas de carvão

Dados técnicos

Soprador		GBL 800 E	GBL 800 E	GBL 82-270
Número de produto		3 601 J80 454 3 601 J80 4B4	3 601 J80 484	3 601 J80 4..
Potência nominal absorvida	W	800	820	820
Volume de ar	m ³ /min	4,5	4,5	4,5
Pressão do ar	mbar	0-72	0-72	0-72
Peso de acordo com EPTA-Procedure 01:2014	kg	1,8	1,8	1,8
Classe de proteção		□/II	□/II	□/II

Os dados são válidos para uma tensão nominal [U] de 230 V. No caso de tensões divergentes e em versões específicas do país, estes dados podem variar.

Os valores podem variar em função do produto e estar sujeitos a condições de aplicação e do meio ambiente. Mais informações em www.bosch-professional.com/wac.

Soprador		GBL 800 E	GBL 800 E	GBL 800 E
Número de produto		3 601 J80 4E4	3 601 J80 4N4	3 601 J80 4P4
Potência nominal absorvida	W	800	800	820
Tensão nominal	V	220	220	220-240
Volume de ar	m ³ /min	4,5	4,5	4,5
Pressão do ar	mbar	0-72	0-72	0-72
Peso de acordo com EPTA-Procedure 01:2014	kg	1,8	1,8	1,8
Classe de proteção		□/II	□/II	□/II

As indicações são válidas para as tensões nominais indicadas. No caso de tensões divergentes e em versões específicas do país, estes dados podem variar.

Os valores podem variar em função do produto e estar sujeitos a condições de aplicação e do meio ambiente. Mais informações em www.bosch-professional.com/wac.

Informação sobre ruídos/vibrações

Os valores de emissão de ruído foram determinados de acordo com **EN 62841-1**.

O nível sonoro avaliado A da ferramenta elétrica é normalmente: nível de pressão sonora **89 dB(A)**; nível de potência sonora **100 dB(A)**. Incerteza K = **3 dB**.

Use proteção auditiva!

Valores totais de vibração a_h (soma vetorial nas três direções) e incerteza K determinada em função da **EN 62841-1**:

$$a_h < 2,5 \text{ m/s}^2, K = 1,5 \text{ m/s}^2$$

Os níveis de vibrações indicados nestas instruções e o valor de emissão de ruído foram medidos de acordo com um método de medição padronizado e podem ser usados para comparar ferramentas elétricas entre si. Também são adequados para uma avaliação preliminar das emissões de vibrações e ruído.

Os níveis de vibrações indicados e o valor de emissão de ruído representam as principais aplicações da ferramenta elétrica. No entanto, se a ferramenta elétrica for usada para

outras aplicações, com diferentes acessórios acopláveis ou com manutenção insuficiente, os níveis de vibrações e o valor de emissão de ruído podem ser diferentes. Isso pode aumentar significativamente as emissões de vibrações e ruído durante todo o período de trabalho.

Para uma estimativa precisa das emissões de vibrações e ruído, também devem ser considerados os momentos em que a ferramenta está desligada ou em funcionamento, mas não está realmente em uso. Isso pode reduzir significativamente as emissões de vibrações e ruído durante todo o período de trabalho.

Além disso também deverão ser estipuladas medidas de segurança para proteger o operador contra o efeito de vibrações, como por exemplo: a manutenção das ferramentas elétricas e dos acessórios acopláveis, luvas durante o trabalho e a organização dos processos de trabalho.

Funcionamento

- ▶ **Antes de todos trabalhos na ferramenta elétrica, retirar o plugue da tomada.**

Tipos de funcionamento

Soprar (ver figura A)

Para o tipo de funcionamento Soprar, encaixe o bocal (7) de acordo com a marcação de seta na saída de ar (5).

Aspirar (ver figura B)

Para o tipo de funcionamento Aspirar, encaixe o bocal (7) de acordo com a marcação de seta na entrada de ar (9).

Encaixe sempre adicionalmente o saco do pó (8) na saída de ar (5).

Colocando em funcionamento

- ▶ **Observar a tensão de rede! A tensão da fonte de corrente tem de coincidir com as indicações da placa de características da ferramenta elétrica. As ferramentas elétricas assinaladas com 230 V também podem ser operadas com 220 V.**

Ligar e desligar

Para **ligar** a ferramenta elétrica, pressione o interruptor de ligar/desligar (2).

Para **bloquear** o interruptor de ligar/desligar (2) mantenha-o premido e prima adicionalmente a tecla de retenção para o interruptor de ligar/desligar (3).

Para **desligar** a ferramenta elétrica, solte o interruptor de ligar/desligar (2). Se o interruptor de ligar/desligar (2) estiver bloqueado, pressione o primeiro e depois solte-o.

Regulagem do volume de ar

Rode a roda de ajuste (4), para ajustar o caudal de ar desejado:

- **para a direita:** aumentar o caudal de ar
- **para a esquerda:** reduzir o caudal de ar

Indicações de trabalho

Tenha em atenção que a entrada de ar (9) não pode aspirar impurezas durante o processo de sopra.

Nunca aspire sem saco do pó.

Não aspire materiais pontiagudos ou quentes, como estilhaços de vidro, cinza quente ou aparas de metal.

Ao aspirar, esvazie regularmente o saco do pó. Respeite as normas ambientais ao eliminar os resíduos.

Se o soprador não for utilizado, feche a saída de ar com o saco coletor de pó, para evitar que sujeira ou partículas estranhas entrem na caixa da ventoinha.

A entrada de material sólido na câmara do soprador (mesmo durante o armazenamento) pode causar a quebra do ventilador e, conseqüentemente, a quebra da carcaça durante o trabalho.

Manutenção e serviço

Manutenção e limpeza

- ▶ **Antes de todos trabalhos na ferramenta elétrica, retirar o plugue da tomada.**
- ▶ **Manter a ferramenta elétrica e as aberturas de ventilação sempre limpas, para trabalhar bem e de forma segura.**

Se for necessário substituir o cabo de força, isto deverá ser realizado pela **Bosch** ou por uma assistência técnica autorizada para todas as ferramentas elétricas **Bosch** para evitar riscos de segurança.

Trocar as escovas de carvão (ver figura C)

Verifique o comprimento das escovas de carvão aproximadamente a cada 2–3 meses e troque ambas, se necessário.

Nunca substitua apenas uma escova de carvão!

Nota: Utilize apenas escovas de carvão recomendadas da Bosch, que são adequadas para o seu produto.

- Solte as capas (6) com uma chave de parafusos apropriada.
- Troque as escovas de carvão (10) sob pressão de mola e volte a aparafusar as capas.

Critério para trocar as escovas de carvão: Na superfície lateral grande da escova de carvão é visível uma linha tracejada ou pontilhada. Se uma das duas escovas de carvão estiver gasta até esta linha, deverá substituir imediatamente as duas escovas de carvão, para proteger o comutador de eventuais danos.

Serviço pós-venda e assistência ao cliente

O serviço pós-venda responde às suas perguntas a respeito de serviços de reparação e de manutenção do seu produto, assim como das peças sobressalentes. Desenhos explodidos e informações sobre peças sobressalentes também em:

www.bosch-pt.com

A nossa equipe de consultores Bosch esclarece com prazer todas as suas dúvidas a respeito dos nossos produtos e acessórios.

Indique em todas as questões ou encomendas de peças sobressalentes impreterivelmente a referência de 10 dígitos de acordo com a placa de características do produto.

Brasil

Robert Bosch Ltda. – Divisão de Ferramentas Elétricas
Rodovia Anhanguera, Km 98 - Parque Via Norte
13065-900, CP 1195
Campinas, São Paulo
Tel.: 0800 7045 446
www.bosch.com.br/contato

Encontre outros endereços da assistência técnica em:

www.bosch-pt.com/serviceaddresses

Descarte

Ferramentas elétricas, acessórios e embalagens devem ser enviados a uma reciclagem ecológica de matérias primas.



Não jogar as ferramentas elétricas no lixo doméstico!

日本語

安全上の注意事項

安全上の一般的な注意事項

警告 安全上の注意と指示、そして図と仕様のすべてによく目を通してください。安全上の注意と指示事項を順守しないと、感電、火災、けが等の事故につながるおそれがあります。

お読みになった後は、お使いになる方がいつでも見られるところに必ず保管してください。

本書で使用する「電動工具」という用語は、電源式（コード付き）電動工具またはバッテリー式（コードレス）電動工具を示します。

作業環境の安全について

- ▶ 作業場は整理整頓し、十分な照明を確保してください。散らかった暗い場所は事故を招くおそれがあります。
- ▶ 爆発を誘引することがある可燃性の液体、ガスや粉じんがあるところでは、電動工具を使用しないでください。電動工具は、粉じんまたはヒュームを発火させることがある火花を発生する場合があります。
- ▶ 電動工具の使用中は、お子様や第三者を近付けないでください。注意が散漫になって、操作に集中できなくなる場合があります。

電氣的安全性について

- ▶ 電動工具の電源プラグは、コンセントに合ったものを使用してください。電源プラグを改造しないでください。アダプタープラグを接地した電動工具と一緒に使用しないでください。改造していない電源プラグとそれに対応するコンセントを使用すれば、感電するリスクが低くなります。
- ▶ パイプ、暖房機器、電子レンジ、冷蔵庫などの接地されたものと身体が接触しないようにしてください。身体と接地すると、感電する危険が高まります。
- ▶ 電動工具は雨または湿気がある状態にさらさないでください。電動工具に水が入ると、感電する危険が高まります。
- ▶ コードを乱暴に扱わないでください。電動工具を移動させたり、引っ張ったり、電源プラグを抜くためにコードを利用しないでください。コードは、熱、油、角が尖った物や動く物から離しておいてください。コードが損傷したり、

絡まったりすると、感電する危険が高まります。

- ▶ 電動工具を戸外で使用する時は、屋外での使用に適した延長コードを使用してください。屋外での使用に適した延長コードを使用すれば、感電するリスクが低くなります。
- ▶ 電動工具を湿気の多い場所で使用しなくてはならない場合は、漏電遮断器で保護されている電源を使用してください。漏電遮断器を使用すれば、感電するリスクが低くなります。

人的安全性

- ▶ 電動工具を使用する時は、油断をせず、いま自分が何をしているかに注意し、常識を働かせてください。疲れていたり、アルコールや医薬品を飲んでいる時は、電動工具を使用しないでください。電動工具を使用している間の一瞬の不注意で、深刻な人的傷害をもたらす場合があります。
- ▶ 安全保護具を使用してください。常時、保護メガネを装着してください。適切な状態で防じんマスク、滑り防止安全靴、ヘルメット、耳栓などの安全保護具を使用すれば、けがをするリスクが低くなります。
- ▶ 電動工具が意図せず始動しないようにしてください。電源プラグを差し込む前に、スイッチがオフの位置にあることを確認してください。スイッチに指をかけて電動工具を運んだり、スイッチがオンになった電動工具の電源プラグを差し込むと、事故につながるおそれがあります。
- ▶ 電動工具の電源を入れる前に、調整キーやレンチを外してください。電動工具の回転部分にキーやレンチを付けたままにしておくと、けがにつながるおそれがあります。
- ▶ 無理な姿勢で作業しないでください。常に適切な足場とバランスを維持してください。これにより、予期しない状況でも電動工具をより適切に操作できるようになります。
- ▶ きちんとした服装で作業してください。だぶだぶの衣類や装飾品は身に付けしないでください。髪や服を回転部に近付けないでください。だぶだぶの服、装飾品や長髪は、回転部に巻き込まれる場合があります。
- ▶ 集じん装置を接続できる機種の場合は、適切に接続・使用されていることを確認してください。これらの装置を使用することにより、粉じん関連の危険を低減することができます。
- ▶ 電動工具の扱いに慣れたことで満足し、電動工具の安全規則を無視しないでください。不注意な行動が、一瞬のうちに深刻な人的傷害につながる場合があります。

電動工具の使用とお手入れについて

- ▶ 電動工具を無理に使用しないでください。用途に合った正しい電動工具を使用してください。正しい電動工具を使用すれば、より適切・安全に作業できるようになります。

- ▶ **スイッチで始動/停止を操作できない場合、その電動工具は使用しないでください。** スwitchで制御できない電動工具は危険ですので、修理を依頼してください。
- ▶ **取り外すことができる場合は、調整を行う前、付属品を交換する前、または電動工具を保管する前に、電源プラグをコンセントから抜くか、または電動工具からバッテリーを外してください。** このような予防的安全対策を講じれば、電動工具を誤って始動させるリスクが低くなります。
- ▶ **使用しない電動工具は、お子様の手の届かないところに保管し、電動工具に不慣れな方や取扱説明書の注意事項に目を通していない方には電動工具を使用させないでください。** 電動工具を扱い慣れていない方に渡すと危険です。
- ▶ **電動工具と付属品の保守を行ってください。** 電動工具の動作に影響するおそれがある可動部の心ズレや結合、部品の破損やその他の状態を点検してください。異常がある場合は、使用する前に電動工具の修理を行ってください。電動工具の保守が不十分であることが、多くの事故の原因となります。
- ▶ **先端工具は、鋭利かつ清潔に保ってください。** 先端工具を適切に手入れして鋭利にしておけば、作業をスムーズに進めることができ、操作もしやすくなります。
- ▶ **電動工具、付属品、先端工具などは、作業条件と実施する作業を考慮し、取扱説明書に従って使用してください。** 意図された作業と異なる作業に電動工具を使用すると、危険につながるおそれがあります。
- ▶ **握り部は、常に乾かして清潔な状態を保ち、油やグリスが付着しないようにしてください。** ハンドルや握り部が滑りやすくなっていると、予期しない状況で電動工具を安全に操作・制御できなくなります。

サービス

- ▶ **修理の必要がある場合は、必ずお買い求めの販売店、または電動工具サービスセンターにお申しつけください。** 専門知識を備えた担当スタッフが純正交換部品を使用して作業を行います。

ブロフに関する安全上の注意事項

- ▶ **人体に害を及ぼす物質（フナ材やオーク材の粉じん、石粉、石綿など）を吸引したり、吹き飛ばさないでください。** これらの物質は健康障害につながるおそれがあります。
- ▶ **液体を吸引したり、吹き飛ばさないでください。** 液体が内部に浸入してしまうと、感電する危険が高まります。
- ▶ **作業する場所の換気に注意してください。**
- ▶ **誰もいないところでお子様に電動工具を使用させないでください。** お子様がかげをするおそれがあります。
- ▶ **保護メガネや防じんマスクなどの保護具を併用してください。** こうした保護具を着用すれば、

肌が有害物質にさらされるのを防ぐことができます。



- ▶ **電動工具は雨または湿気がある状態にさらさないでください。** 電動工具に水が入ると、感電する危険が高まります。
- ▶ **電動工具を湿気の多い場所で使用しなくてはならない場合は、漏電遮断器で保護されている電源を使用してください。** 漏電遮断器を使用すれば、感電するリスクが低くなります。
- ▶ **電源コードが損傷している場合には本製品を使用しないでください。** 作業中に電源コードが損傷した場合は、損傷したコードに触れたり、電源プラグを抜いたりしないでください。電源コードが損傷し、感電する危険が高まります。
- ▶ **電源コードを踏んだり、押しつぶしたりしないでください。** 電源コードを持って運んだり、電源コードを引っ張ってコンセントから電源プラグを抜かないでください。電源コードが損傷し、感電する危険が高まります。
- ▶ **本製品の保管、設定のプリセットや付属品の交換を行う前に、コンセントから電源プラグを抜いてください。** こうした措置により、本機の意図しない始動を防ぐことができます。

製品と仕様について



安全上の注意事項と指示にすべて目を通してください。安全上の注意事項と指示を守らないと、感電、火災または/および重傷を招くことがありますのでご注意ください。

取扱説明書の冒頭に記載されている図を参照してください。

用途

本機は、人体に害を及ぼすことのない物を吸引したり、吹き飛ばすためのものです。

本機は、燃えやすい物、金属くず、先が尖った物（ネジや釘）の吸引や吹き飛ばしには適していません。

各部の名称

以下の番号はイラストページの電動工具の構成図に一致しています。

- (1) ハンドグリップ
- (2) オン/オフスイッチ
- (3) オン/オフスイッチ用ロックボタン
- (4) 風量調節ダイヤル
- (5) 送風口
- (6) ブラシ用キャップ

- (7) ノズル
(8) 吸じん袋

- (9) 吸入口
(10) ブラシ

テクニカルデータ

プロフ		GBL 800 E	GBL 800 E	GBL 82-270
部品番号		3 601 J80 454 3 601 J80 4B4	3 601 J80 484	3 601 J80 4..
定格入力	W	800	820	820
風量	m ³ /min	4.5	4.5	4.5
風圧	mbar	0 ~ 72	0 ~ 72	0 ~ 72
質量 (EPTA-Procedure 01:2014に準拠)	kg	1.8	1.8	1.8
保護クラス		□/II	□/II	□/II

本記載内容は、定格電圧 [U] が 230V の場合です。電圧や国別の仕様が異なると、数値も多少変動することがあります。数値は製品によって異なる場合があります、用途や環境条件によって変化します。詳細については www.bosch-professional.com/wac でご確認ください。

プロフ		GBL 800 E	GBL 800 E	GBL 800 E
部品番号		3 601 J80 4E4	3 601 J80 4N4	3 601 J80 4P4
定格入力	W	800	800	820
定格電圧	V	220	220	220 ~ 240
風量	m ³ /min	4.5	4.5	4.5
風圧	mbar	0 ~ 72	0 ~ 72	0 ~ 72
質量 (EPTA-Procedure 01:2014に準拠)	kg	1.8	1.8	1.8
保護クラス		□/II	□/II	□/II

本記載内容は、指定された定格電圧の場合です。電圧や国別の仕様が異なると、数値も多少変動することがあります。数値は製品によって異なる場合があります、用途や環境条件によって変化します。詳細については www.bosch-professional.com/wac でご確認ください。

操作

- ▶ 作業前に、必ずコンセントから電源プラグを抜いてください。

運転モード

送風 (図Aを参照)

送風機として使用する時は、矢印のマークに従ってノズル(7)を送風口(5)にしっかり押し込みます。

吸じん (図Bを参照)

吸じん機として使用する時は、矢印のマークに従ってノズル(7)を吸入口(9)にしっかり押し込みます。吸じん袋(8)も必ず送風口(5)に取り付けてください。

始動

- ▶ 電源電圧に注意してください！本機の銘板に表示されている電圧の電源を使用してください。230Vの表示がある電動工具を220Vの供給電圧に接続することも可能です。

スイッチのオン/オフ

本機をオンにするには、オン/オフスイッチ(2)を押します。

オン/オフスイッチ(2)をロックする場合は、スイッチを押したまま、オン/オフスイッチ用ロックボタン(3)を押します。

本機をオフにするには、オン/オフスイッチ(2)から指を離します。オン/オフスイッチ(2)がロックされていた場合は、いったんスイッチを押してから指を離してください。

風量を調節する

希望の風量になるまでダイヤル(4)を回します。

- 時計回り：風量が強くなる
- 反時計回り：風量が弱くなる

作業に関する注意事項

送風機として使用している時に吸入口(9)から汚物が吸い込まれないよう注意してください。

吸じん袋を取り付けない状態で吸引しないでください。

破損したガラス、熱い灰や金属の削りくずなど、先が尖った物や熱を帯びた物を吸引しないでください。

吸じんを行ったら、吸じん袋を定期的に空にしてください。ごみを廃棄する際、環境関連の規制を必ず順守してください。

ブロワを使用しない場合は、汚れや異物がファンハウジングに入らないよう、吸じん袋につながる送風口を塞いでください。

(保管中であっても)送風チャンバーに固い材料が入り込むと、ファンが破損し、これによって作業中にハウジングが損傷するおそれがあります。

お手入れと保管

保守と清掃

- ▶ 作業前に、必ずコンセントから電源プラグを抜いてください。
- ▶ 安全・正常に機能するよう、本機と通風穴を清潔に保ってください。

接続コードの交換が必要となった場合には、安全を維持するために、必ず **Bosch** または **Bosch** 認定サービスセンターまでお申し付けください。

ブラシを交換する (図Cを参照)

2~3カ月毎にブラシの長さをチェックし、必要に応じて2つのブラシを交換してください。

片方のブラシのみ交換しないでください!

注意事項: 本機に適したポッシュ製のブラシのみを使用してください。

- 適切なスクリュードライバーでキャップ(6)を緩めます。
- スプリング圧のかかったブラシ(10)を交換し、キャップを再度締め付けます。

ブラシの交換基準: ブラシの大きな側面に破線または点線が付いています。2つのブラシの一方をこのラインまで使用した場合には、整流器の損傷を防ぐために、すぐにブラシを2つとも交換してください。

カスタマーサービス & 使い方のご相談

製品の修理/メンテナンスや交換パーツに関してご質問等ございましたら、カスタマーサービスにぜひお問い合わせください。分解組立図や交換パーツに関する情報についてはHPでご確認いただけます (www.bosch-pt.com)。ポッシュのアプリケーションサポートチームは、製品や付属品に関するご質問をお待ちしております。

お問い合わせまたは交換パーツの注文の際には、必ず本製品の銘板に基づき10桁の部品番号をお知らせください。

日本

ポッシュ株式会社 電動工具事業部
〒150-8360 東京都渋谷区渋谷 3-6-7
コールセンターフリーダイヤル 0120-345-762
(土・日・祝日を除く、午前 9:00 ~ 午後 5:30)
ホームページ: <http://www.bosch.co.jp>

その他のカスタマーサービス対応窓口はこちら：
www.bosch-pt.com/serviceaddresses

廃棄

本機、アクセサリーと梱包材は、環境に適合した方法でリサイクルしてください。



本機を家庭用ごみとして廃棄しないでください。

中文

安全规章

电动工具通用安全警告

警告! 阅读所有警告和所有说明! 不遵照以下警告和说明会导致电击、着火和/或严重伤害。

保存所有警告和说明书以备查阅。

在所有下列的警告中术语“电动工具”指市电驱动(有线)电动工具或电池驱动(无线)电动工具。

工作场地的安全

- ▶ **保持工作场地清洁和明亮。** 混乱和黑暗的场地会引发事故。
- ▶ **不要在易爆环境, 如有易燃液体、气体或粉尘的环境下操作电动工具。** 电动工具产生的火花会点燃粉尘或气体。
- ▶ **让儿童和旁观者离开后操作电动工具。** 注意力不集中会使操作者失去对工具的控制。

电气安全

- ▶ **电动工具插头必须与插座相配。** 绝不能以任何方式改装插头。需接地的电动工具不能使用任何转换插头。未经改装的插头和相配的插座将减少电击危险。
- ▶ **避免人体接触接地表面, 如管道、散热片和冰箱。** 如果你身体接地会增加电击危险。
- ▶ **不得将电动工具暴露在雨中或潮湿环境中。** 水进入电动工具将增加电击危险。
- ▶ **不得滥用电线。** 绝不能用电线搬运、拉动电动工具或拔出其插头。使电线远离热源、油、锐边或运动部件。受损或缠绕的软线会增加电击危险。
- ▶ **当在户外使用电动工具时, 使用适合户外使用的外接软线。** 适合户外使用的软线将减少电击危险。
- ▶ **如果在潮湿环境下操作电动工具是不可避免的, 应使用剩余电流动作保护器(RCD)。** 使用RCD可减小电击危险。

人身安全

- ▶ **保持警觉, 当操作电动工具时关注所从事的操作并保持清醒。** 当你感到疲倦, 或在有药物、酒精

或治疗反应时，不要操作电动工具。在操作电动工具时瞬间的疏忽会导致严重人身伤害。

- ▶ **使用个人防护装置。始终佩戴护目镜。** 安全装置，诸如适当条件下使用防尘面具、防滑安全鞋、安全帽、听力防护等装置能减少人身伤害。
- ▶ **防止意外起动。确保开关在连接电源和/或电池盒、拿起或搬运工具时处于关断位置。** 手指放在已接通电源的开关上或开关处于接通时插入插头可能会导致危险。
- ▶ **在电动工具接通之前，拿掉所有调节钥匙或扳手。** 遗留在电动工具旋转零件上的扳手或钥匙会导致人身伤害。
- ▶ **手不要伸展得太长。时刻注意立足点和身体平衡。** 这样在意外情况下能很好地控制电动工具。
- ▶ **着装适当。不要穿宽松衣服或佩戴饰品。让衣服、手套和头发远离运动部件。** 宽松衣服、配饰或长发可能会卷入运动部件中。
- ▶ **如果提供了与排屑、集尘设备连接用的装置，要确保他们连接完好且使用得当。** 使用这些装置可减少尘屑引起的危险。
- ▶ **即使由于经常使用电动工具而对此非常熟悉，也不要就认为可以高枕无忧而忽略工具的安全规定。** 粗心大意的行为可能在瞬间就造成严重的伤害。

电动工具使用和注意事项

- ▶ **不要滥用电动工具，根据用途使用适当的电动工具。** 选用适当设计的电动工具会使你工作更有效、更安全。
- ▶ **如果开关不能接通或关闭工具电源，则不能使用该电动工具。** 不能用开关来控制的电动工具是危险的且必须进行修理。
- ▶ **在进行任何调节、更换附件或贮存电动工具之前，必须从电源上拔掉插头和/或使电池盒与工具脱开。** 这种防护性措施将减少工具意外起动的危险。
- ▶ **将闲置不用的电动工具贮存在儿童所及范围之外，并且不要让不熟悉电动工具或对这些说明不了解的人操作电动工具。** 电动工具在未经培训的用户手中是危险的。
- ▶ **保养电动工具。检查运动件是否调整到位或卡住，检查零件破损情况和影响电动工具运行的其他状况。** 如有损坏，电动工具应在使用前修理好。许多事故由维护不良的电动工具引发。
- ▶ **保持切削刀具锋利和清洁。** 保养良好的有锋利切削刃的刀具不易卡住而且容易控制。
- ▶ **按照使用说明书，考虑作业条件和进行的作业来使用电动工具、附件和工具的刀头等。** 将电动工具用于那些与其用途不符的操作可能会导致危险。
- ▶ **保持手柄和握持表面干燥、清洁、无油污。** 在突发情况下，滑溜的手柄和握持表面无法确保安全地握持和控制工具。

维修

- ▶ **将你的电动工具送交专业维修人员，使用同样的备件进行修理。** 这样将确保所维修的电动工具的安全性。

风扇安全提示

- ▶ **切勿抽吸和吹扫木屑或橡木屑、矿物性粉尘、石棉之类的有害物质。** 这些物质可能致癌。
- ▶ **切勿抽吸和吹扫液体。** 液体渗入会增加触电风险。
- ▶ **要确保工作场所通风良好。**
- ▶ **不要让儿童在无人监管的情况下使用电动工具。** 儿童可能会受伤。
- ▶ **还请佩戴个人防护装备，比如护目镜和保护呼吸面具。** 戴上合适的防护装备能够减少暴露在有害物质下的危险。



- ▶ **不得将电动工具暴露在雨中或潮湿环境中。** 水进入电动工具将增加电击危险。
- ▶ **如果在潮湿环境下操作电动工具是不可避免的，应使用剩余电流动作保护器 (RCD)。** 使用RCD可减小电击危险。
- ▶ **勿使用电线已经损坏的电动工具。如果电源线在工作中受损，切勿触摸损坏的电线，并要马上拔出插头。** 损坏的电线会提高用户触电的危险。
- ▶ **切勿碾压或挤压电源线。切勿拉扯电源线以将插头从电源插座上拔出或移动电动工具。** 损坏的电线会提高用户触电的危险。
- ▶ **调整设备设置、更换附件或贮存本电动工具前，要将插头从电源插座上拔出。** 这种防护性措施将减少工具意外起动的危险。

产品和性能说明



请阅读所有安全规章和指示。不遵照以下警告和说明可能导致电击、着火和/或严重伤害。

请注意本使用说明书开头部分的图示。

按照规定使用

本电动工具适合抽吸和吹扫不会妨碍健康的物料。本电动工具不适用于抽吸和吹扫可燃材料、金属碎屑和螺栓或钉子等尖锐物品。

插图上的机件

机件的编号和电动工具详解图上的编号一致。

- (1) 手柄
- (2) 电源开关
- (3) 电源开关的锁定按钮
- (4) 气流量的调整开关
- (5) 空气出口
- (6) 碳刷的盖子
- (7) 喷嘴
- (8) 集尘袋

(9) 进气口

(10) 碳刷

技术参数

风扇		GBL 800 E	GBL 800 E	GBL 82-270
物品代码		3 601 J80 454 3 601 J80 4B4	3 601 J80 484	3 601 J80 4..
额定输入功率	瓦	800	820	820
气流量	立方米/分钟	4.5	4.5	4.5
气压	毫巴	0-72	0-72	0-72
重量符合EPTA-Procedure 01:2014	公斤	1.8	1.8	1.8
保护等级		□/II	□/II	□/II

所有参数适用于230伏的额定电压[U]，对于其他不同的电压和国际规格，数据有可能不同。

数值可能因不同产品而异，并且受到应用和环境条件影响。更多信息请参见 www.bosch-professional.com/wac。

风扇		GBL 800 E	GBL 800 E	GBL 800 E
物品代码		3 601 J80 4E4	3 601 J80 4N4	3 601 J80 4P4
额定输入功率	瓦	800	800	820
额定电压	伏特	220	220	220-240
气流量	立方米/分钟	4.5	4.5	4.5
气压	毫巴	0-72	0-72	0-72
重量符合EPTA-Procedure 01:2014	公斤	1.8	1.8	1.8
保护等级		□/II	□/II	□/II

数据适用于给定的额定电压。对于其他不同的电压和国家规格，数据有可能不同。

数值可能因不同产品而异，并且受到应用和环境条件影响。更多信息请参见 www.bosch-professional.com/wac。

运行

- ▶ 在电动工具上进行所有操作之前都必须从插座上拔出电源插头。

运行模式

吹扫 (见图片A)

执行吹扫运行模式时，根据箭头标识，将吹嘴(7)牢牢插到出风口(5)上。

抽吸 (见图片B)

执行抽吸运行模式时，根据箭头标识，将吹嘴(7)牢牢插到进风口(9)上。

还需要将集尘袋(8)插到出风口(5)上。

投入使用

- ▶ 注意电源电压！电源的电压必须和电动工具铭牌上标示的电压一致。标记为230伏电动工具用220伏的电压可以驱动。

接通/关闭

如要接通电动工具，请按压电源开关(2)。

如要锁定电源开关(2)，则将其按住并另外按下电源开关的锁定按钮(3)。

如要关闭电动工具，请松开电源开关(2)。电源开关(2)锁定后，先按压，然后再松开。

调节空气量

转动调节轮(4)，以设置所需的空气量：

- 顺时针：增大空气量
- 逆时针：减小进气量

工作提示

请注意，在吹扫过程中不得用进风口(9)抽吸脏污。集尘时务必使用集尘袋。

不得抽吸边缘锋利或热的材料，如碎玻璃、热灰或金属屑。

集尘时必须定期倒空集尘袋。清除废料时务必注意有关的环保规定。

如果不使用风扇，请用集尘袋将出风口封起来，以免污垢或异物进入风扇壳体。

一旦有硬物进入风扇腔（即使在存储期间），可能会导致工作期间风扇破损，从而导致壳体破损。

维修和服务

维护和清洁

- ▶ 在电动工具上进行所有操作之前都必须从插座上拔出电源插头。
- ▶ 电动工具和通气孔必须随时保持清洁，以确保工作效率和工作安全。

如果必须更换连接线，务必把这项工作交给**Bosch**或者经授权的**Bosch**电动工具顾客服务执行，以避免危害机器的安全性能。

更换碳刷（见图片C）

每2到3个月就得检查碳刷的长度，必要时两个碳刷都得更换。

切勿只更换一个碳刷！

提示：只能向博世购买针对该产品的碳刷。

- 用合适的螺丝起子机松开盖帽(6)。
- 请更换处于弹簧压力下的碳刷(10)并再次拧上盖帽。

有关碳刷更换的标准：在碳刷的大侧面可看到虚线。如果两把碳刷中有一把已经耗损到界线上，则必须马上更换两把碳刷，以防止整流器受损。

客户服务和应用咨询

本公司顾客服务处负责回答有关本公司产品的修理、维护和备件的问题。备件的展开图纸和信息也可查看：www.bosch-pt.com

博世应用咨询团队乐于就我们的产品及其附件问题提供帮助。

询问和订购备件时，务必提供机器铭牌上标示的10位数物品代码。

中国大陆

博世电动工具（中国）有限公司

中国 浙江省 杭州市

滨江区 滨康路567号

102/1F 服务中心

邮政编码：310052

电话：(0571)8887 5566 / 5588

传真：(0571)8887 6688 x 5566# / 5588#

电邮：bsc.hz@cn.bosch.com

www.bosch-pt.com.cn

制造商地址：

Robert Bosch Power Tools GmbH

罗伯特·博世电动工具有限公司

70538 Stuttgart / GERMANY

70538 斯图加特 / 德国

其他服务地址请见：

www.bosch-pt.com/serviceaddresses

处理废弃物

必须以符合环保要求的方式回收再利用电动工具、附件和包装材料。



不可以把电动工具丢入家庭垃圾中！

繁體中文

安全注意事項

電動工具一般安全注意事項

警告 請詳讀工作臺及電動工具的所有安全警告與使用說明。若不遵照以下列出的指示，將可能導致電擊、著火和/或人員重傷。

保存所有警告和說明書以備查閱。

在所有警告中，「電動工具」此一名詞泛指：以市電驅動的（有線）電動工具或是以電池驅動的（無線）電動工具。

工作場地的安全

- ▶ **保持工作場地清潔和明亮。** 混亂和黑暗的場地會引發事故。
- ▶ **不要在易爆環境，如有易燃液體、氣體或粉塵的環境下操作電動工具。** 電動工具產生的火花會點燃粉塵或氣體。
- ▶ **讓兒童和旁觀者離開後操作電動工具。** 注意力不集中會使您失去對工具的控制。

電氣安全

- ▶ **電動工具插頭必須與插座相配。** 絕不能以任何方式改裝插頭。需接地的電動工具不能使用任何轉換插頭。未經改裝的插頭和相配的插座將減少電擊危險。
- ▶ **避免人體接觸接地表面，如管道、散熱片和冰箱。** 如果您身體接地會增加電擊危險。
- ▶ **不得將電動工具暴露在雨中或潮濕環境中。** 水進入電動工具將增加電擊危險。
- ▶ **不得濫用電線。** 絕不能用電線搬運、拉動電動工具或拔出其插頭。使電線遠離熱源、油、銳利邊緣或移動零件。受損或纏繞的軟線會增加電擊危險。
- ▶ **當在戶外使用電動工具時，使用適合戶外使用的延長線。** 適合戶外使用的軟線，將減少電擊危險。
- ▶ **如果在潮濕環境下操作電動工具是不可避免的，應使用剩餘電流動作保護器（RCD）。** 使用RCD可降低電擊危險。

人身安全

- ▶ **保持警覺，當操作電動工具時關注所從事的操作並保持清醒。** 當您感到疲倦，或在有藥物、酒精或治療反應時，不要操作電動工具。在操作電動工具時瞬間的疏忽會導致嚴重人身傷害。
- ▶ **使用個人防護裝置。** 始終佩戴護目鏡。安全裝置，諸如適當條件下使用防塵面具、防滑安全鞋、安全帽、聽力防護等裝置能減少人身傷害。
- ▶ **防止意外起動。** 確保開關在連接電源和/或電池盒、拿起或搬運工具時處於關閉位置。手指放在已接通電源的開關上或開關處於接通時插入插頭可能會導致危險。

- ▶ 在電動工具接通之前，拿掉所有調節鑰匙或扳手。遺留在電動工具旋轉零件上的扳手或鑰匙會導致人身傷害。
- ▶ 手不要伸展得太長。時刻注意立足點和身體平衡。這樣在意外情況下能很好地控制電動工具。
- ▶ 著裝適當。不要穿寬鬆衣服或佩戴飾品。讓您的衣物及頭髮遠離運動部件。寬鬆衣服、佩飾或長髮可能會捲入運動部件中。
- ▶ 如果提供了與排屑、集塵設備連接用的裝置，要確保他們連接完好且使用得當。使用這些裝置可減少塵屑引起的危險。
- ▶ 切勿因經常使用工具所累積的熟練感而過度自信，輕忽工具的安全守則。任何一個魯莽的舉動都可能瞬間造成人員重傷。

電動工具使用和注意事項

- ▶ 不要濫用電動工具，根據用途使用適當的電動工具。選用適當設計的電動工具會使您工作更有效、更安全。
- ▶ 如果開關不能開啟或關閉工具電源，則不能使用該電動工具。不能用開關來控制的電動工具是危險的且必須進行修理。
- ▶ 在進行任何調整、更換配件或貯存電動工具之前，必須從電源上拔掉插頭並／或取出電池盒。這種防護性措施將減少工具意外起動的危險。
- ▶ 將閒置不用的電動工具貯存在兒童所及範圍之外，並且不要讓不熟悉電動工具或對這些說明不瞭解的人操作電動工具。電動工具在未經培訓的用戶手中是危險的。
- ▶ 保養電動工具與配備。檢查運動件是否調整到位或卡住，檢查零件破損情況和影響電動工具運行的其他狀況。如有損壞，電動工具應在使用前修理好。許多事故由維護不良的電動工具引發。
- ▶ 保持切削刀具鋒利和清潔。保養良好的有鋒利切削刀的刀具不易卡住而且容易控制。
- ▶ 按照使用說明書，考慮作業條件和進行的作業來使用電動工具、配件和工具的刀頭等。將電動工具用於那些與其用途不符的操作可能會導致危險。
- ▶ 把手及握持區應保持乾燥、潔淨，且不得沾染任何油液或油脂。易滑脫的把手及握持區將無法讓您在發生意外狀況時安全地抓緊並控制工具。

檢修

- ▶ 將您的電動工具送交專業維修人員，必須使用同樣的備件進行更換。這樣將確保所維修的電動工具的安全性。

吸吹風機安全注意事項

- ▶ 請勿使用本裝置吸除及噴吹例如榿木屑、橡木屑、礦物粉塵、石棉等危害健康的物質。這些物質已認為致癌物。
- ▶ 本裝置請勿用於吸除及噴吹液體。如有液體滲入將增加觸電風險。
- ▶ 要確保工作場所通風良好。

- ▶ 不可放任兒童在無人監督之下使用本電動工具。兒童可能會受傷。
- ▶ 請您另外戴上適當的護目鏡和防毒面罩等個人防護裝備。戴上合適的防護裝備能夠降低暴露在有害物質下的危險。



- ▶ 不得將電動工具暴露在雨中或潮濕環境中。水進入電動工具將增加電擊危險。
- ▶ 如果在潮濕環境下操作電動工具是不可避免的，應使用剩餘電流動作保護器（RCD）。使用RCD可降低電擊危險。
- ▶ 切勿使用電線已經損壞的電動工具。如果電源線在工作中受損，千萬不可觸摸損壞的電線，並應立刻拔出插頭。損壞的電線會提高使用者觸電的危險。
- ▶ 不可輾壓或擠壓電線。將插頭拔出插座時或移動電動工具時，請勿直接拉扯電線。損壞的電線將增加觸電風險。
- ▶ 在進行任何裝置設定、更換配件或貯存電動工具之前，請先將插頭從插座上拔掉。這種防護性措施將減少工具意外起動的危險。

產品和功率描述



請詳讀所有安全注意事項和指示。如未遵守安全注意事項與指示，可能導致火災、人員遭受電擊及／或重傷。
請留意操作說明書中最前面的圖示。

依規定使用機器

本電動工具適合吸除及噴吹對健康無害的物質。本電動工具並不適合用於吸除及噴吹可燃性物質、金屬切屑，以及螺絲或釘子等尖銳物品。

插圖上的機件

機件的編號和電動工具詳解圖上的編號一致。

- (1) 把手
- (2) 起停開關
- (3) 起停開關的鎖止按鈕
- (4) 氣流量調整轉鈕
- (5) 出風口
- (6) 碳刷外蓋
- (7) 噴管
- (8) 集塵袋
- (9) 進氣口
- (10) 碳刷

技術性數據

吸吹風機		GBL 800 E	GBL 800 E	GBL 82-270
產品機號		3 601 J80 454 3 601 J80 4B4	3 601 J80 484	3 601 J80 4..
額定輸入功率	W	800	820	820
氣流量	m ³ /min	4.5	4.5	4.5
氣壓	mbar	0-72	0-72	0-72
重量符合 EPTA-Procedure 01:2014	kg	1.8	1.8	1.8
絕緣等級		□/II	□/II	□/II

本說明書提供的參數是以 230 伏特為依據，於低電壓地區，此數據有可能不同。

數值可能因產品而異，並受使用條件以及環境條件影響。進一步資訊請見 www.bosch-professional.com/wac。

吸吹風機		GBL 800 E	GBL 800 E	GBL 800 E
產品機號		3 601 J80 4E4	3 601 J80 4N4	3 601 J80 4P4
額定輸入功率	W	800	800	820
額定電壓	V	220	220	220-240
氣流量	m ³ /min	4.5	4.5	4.5
氣壓	mbar	0-72	0-72	0-72
重量符合 EPTA-Procedure 01:2014	kg	1.8	1.8	1.8
絕緣等級		□/II	□/II	□/II

該數據適用於指定的額定電壓。於使用不同電壓的地區，此數據有可能不同。

數值可能因產品而異，並受使用條件以及環境條件影響。進一步資訊請見 www.bosch-professional.com/wac。

操作

- ▶ **維修電動工具或換裝零、配件之前，務必從插座上拔出插頭。**

操作模式

噴吹（請參考圖 A）

如要使用「噴吹」操作模式，請將噴管 (7) 對應箭頭標記，然後牢牢插至出風口 (5) 上。

吸除（請參考圖 B）

如要使用「吸除」操作模式，請將噴管 (7) 對應箭頭標記，然後牢牢插至進氣口 (9) 上。

請務必另外將集塵袋 (8) 套在出風口 (5) 上。

操作機器

- ▶ **請注意電源電壓！**電源的電壓必須和電動工具銘牌上標示的電壓一致。標示為 230 V 的電動工具亦可接上 220 V 電源。

啟動/關閉電源

若要**啟動**電動工具：按下起停開關 (2)。

若要**固定**起停開關 (2) 的位置，請將它按住不放並同時按壓起停開關的鎖止按鈕 (3)。

若要**關閉**電動工具，放開起停開關 (2) 即可。起停開關 (2) 的位置若是已被鎖定，請先按一下該開關然後再將它放開。

調節氣流量

請您轉動調整轉鈕 (4)，以便設定至所需氣流量：

- **順時針**：調高氣流量

- **逆時針**：調低氣流量

作業注意事項

請注意：進行噴吹期間，進氣口 (9) 上不可吸附任何污物。

進行吸除時務必使用集塵袋。

請勿用於吸除尖銳或高溫材料，例如玻璃碎片、炙熱灰燼或金屬切屑。

進行吸除時，必須定期清空集塵袋。清除廢料時務必遵照相關環保規定。

不使用鼓風機時，請用集塵袋遮蔽出風口，以防止灰塵或異物進入風扇外殼。

固體材料進入噴砂室（即使在存放期間）可能會讓風扇損壞，並導致工作期間機殼損壞。

維修和服務

保養與清潔

- ▶ **維修電動工具或換裝零、配件之前，務必從插座上拔出插頭。**

- ▶ **電動工具和通風口都必須保持清潔，這樣才能夠提高工作品質和安全性。**

如果必須更換連接線，請務必交由 **Bosch** 或者經授權的 **Bosch** 電動工具顧客服務執行，以避免危害機器的安全性能。

更換碳刷（請參考圖 C）

每 2 至 3 個月就應檢查碳刷長度。必要時請同時更換兩個碳刷。

切勿僅單獨更換任一碳刷！

提示：只能向博世購買針對該電動工具而設計的碳刷。

- 使用合適的螺絲起子拆開外蓋 (6)。
- 更換透過彈簧固定的碳刷 (10) 然後將外蓋重新鎖好。

應更換碳刷時的判斷標準：任一把碳刷較大的那一面上出現連續或點狀線條。兩把碳刷中若有任一把已損耗至此界線上，則兩把碳刷皆必須馬上更換，以防止電流變換器受損。

顧客服務處和顧客諮詢中心

本公司顧客服務處負責回答有關本公司產品的維修、維護和備用零件的問題。以下的網頁中有分解圖和備用零件相關資料：www.bosch-pt.com
如果對本公司產品及其配件有任何疑问，博世應用諮詢小組很樂意為您提供協助。

當您需要諮詢或訂購備用零件時，請務必提供本產品型號銘牌上 10 位數的產品機號。

台灣

台灣羅伯特博世股份有限公司
建國北路一段90號6樓
台北市10491
電話: (02) 7734 2588
傳真: (02) 2516 1176
www.bosch-pt.com.tw

製造商地址:

Robert Bosch Power Tools GmbH
羅伯特·博世電動工具有限公司
70538 Stuttgart / GERMANY
70538 斯圖加特/德國

以下更多客戶服務處地址：

www.bosch-pt.com/serviceaddresses

廢棄物處理

必須以符合環保的方式，回收再利用損壞的機器、配件和廢棄的包裝材料。



不可以把電動工具丟入家庭垃圾中。

한국어

안전 수칙

전동공구 일반 안전 수칙

⚠ 경고

본 전동공구와 함께 제공된 모든 안전경고, 지시사항, 그림 및 사양을 숙지하십시오. 다음의 지시 사항을 준수하지 않으면 감전, 화재, 또는 심각한 부상을 초래할 수 있습니다.

앞으로 참고할 수 있도록 이 안전수칙과 사용 설명서를 잘 보관하십시오.

다음에서 사용되는 "전동공구"라는 개념은 전원에 연결하여 사용하는 (전선이 있는) 전동 기기나 배터리를 사용하는 (전선이 없는) 전동 기기를 의미합니다.

작업장 안전

- ▶ 작업장을 항상 깨끗이 하고 조명을 밝게 하십시오. 작업장 환경이 어수선하거나 어두우면 사고를 초래할 수 있습니다.
- ▶ 가연성 유체, 가스 또는 분진이 있어 폭발 위험이 있는 환경에서 전동공구를 사용하지 마십시오. 전동공구는 분진이나 증기에 점화하는 스파크를 일으킬 수 있습니다.
- ▶ 전동공구를 사용할 때 구경꾼이나 어린이 혹은 다른 사람이 작업장에 접근하지 못하게 하십시오. 다른 사람이 주의를 산만하게 하면 기기에 대한 통제력을 잃기 쉽습니다.

전기에 관한 안전

- ▶ 전동공구의 전원 플러그가 전원 콘센트에 잘 맞아야 합니다. 플러그를 절대 변경시켜서는 안 됩니다. (접지된) 전동공구를 사용할 때 어댑터 플러그를 사용하지 마십시오. 변형되지 않은 플러그와 잘 맞는 콘센트를 사용하면 감전의 위험을 줄일 수 있습니다.
- ▶ 파이프 관, 라디에이터, 레인지, 냉장고와 같은 접지 표면에 몸이 닿지 않도록 하십시오. 몸에 닿을 경우 감전될 위험이 높습니다.
- ▶ 전동공구를 비에 맞지 않게 하고 습기 있는 곳에 두지 마십시오. 전동공구에 물이 들어가면 감전될 위험이 높습니다.
- ▶ 전원 코드를 잘못 사용하는 일이 없도록 하십시오. 전원 코드를 잡고 전동공구를 운반해서는 안 되며, 콘센트에서 전원 플러그를 뽑을 때 전원 코드를 잡아 당겨서는 절대로 안 됩니다. 전원 코드가 열과 오일에 접촉하는 것을 피하고, 날카로운 모서리나 기기의 가동 부위에 닿지 않도록 주의 하십시오. 손상되거나 영긴 전원 코드는 감전을 유발할 수 있습니다.
- ▶ 실외에서 전동공구로 작업할 때는 실외용으로 적당한 연장 전원 코드만을 사용하십시오. 실외용 연장 전원 코드를 사용하면 감전의 위험을 줄일 수 있습니다.
- ▶ 전동공구를 습기 찬 곳에서 사용해야 할 경우에는 누전 차단기를 사용하십시오. 누전 차단기를 사용하면 감전 위험을 줄일 수 있습니다.

사용자 안전

- ▶ 신중하게 작업하며, 전동공구를 사용할 때 경솔하게 행동하지 마십시오. 피로한 상태이거나 약물 복용 및 음주한 후에는 전동공구를 사용하지 마십시오. 전동공구 사용 시라도 주의가 산만해지면 중상을 입을 수 있습니다.
- ▶ 작업자 안전을 위한 장치를 사용하십시오. 항상 보안경을 착용하십시오. 전동공구의 종류와 사용에 따라 먼지 보호 마스크, 미끄러지지 않는 안

전화, 안전모 또는 귀마개 등의 안전한 복장을 하면 상해의 위험을 줄일 수 있습니다.

- ▶ 실수로 기기가 작동되지 않도록 주의하십시오. 전동공구를 전원에 연결하거나 배터리를 끼우기 전에, 혹은 기기를 들거나 운반하기 전에, 전원 스위치가 꺼져 있는지 다시 확인하십시오. 전동공구를 운반할 때 전원 스위치에 손가락을 대거나 전원 스위치가 켜진 상태에서 전원을 연결하면 사고 위험이 높습니다.
- ▶ 전동공구를 사용하기 전에 조절하는 톨이나 키 등을 빼 놓으십시오. 회전하는 부위에 있는 톨이나 키로 인해 상처를 입을 수 있습니다.
- ▶ 자신을 과신하지 마십시오. 불안정한 자세를 피하고 항상 평형을 이룬 상태로 작업하십시오. 안정된 자세와 평형한 상태로 작업해야만이 의외의 상황에서도 전동공구를 안전하게 사용할 수 있습니다.
- ▶ 알맞은 작업복을 입으십시오. 험령한 복장을 하거나 장신구를 착용하지 마십시오. 머리나 옷이 가동하는 기기 부위에 가까이 닿지 않도록 주의하십시오. 험령한 복장, 장신구 혹은 긴 머리는 가동 부위에 말려 사고를 초래할 수 있습니다.
- ▶ 분진 추출장치나 수거장치의 조립이 가능한 경우, 이 장치가 연결되어 있는지, 제대로 작동이 되는지 확인하십시오. 이러한 분진 추출장치를 사용하면 분진으로 인한 사고 위험을 줄일 수 있습니다.
- ▶ 톨을 자주 사용한다고 해서 안주하는 일이 없게 하고 공구의 안전 수칙을 무시하지 않도록 하십시오. 부주의하게 취급하여 순간적으로 심각한 부상을 입을 수 있습니다.

전동공구의 올바른 사용과 취급

- ▶ 기기를 과부하 상태에서 사용하지 마십시오. 작업할 때 이에 적당한 전동공구를 사용하십시오. 알맞은 전동공구를 사용하면 지정된 성능 한도 내에서 더 효율적으로 안전하게 작업할 수 있습니다.
- ▶ 전원 스위치가 고장 난 전동공구를 사용하지 마십시오. 전원 스위치가 작동되지 않는 전동공구는 위험하므로, 반드시 수리를 해야 합니다.
- ▶ 전동공구를 조정하거나 액세서리 부품 교환 혹은 공구를 보관할 때, 항상 전원 콘센트에서 플러그를 미리 빼어 놓거나 배터리를 분리하십시오. 이러한 조치는 실수로 전동공구가 작동하게 되는 것을 예방합니다.
- ▶ 사용하지 않는 전동공구는 어린이 손이 닿지 않는 곳에 보관하고, 전동공구 사용에 익숙지 않거나 이 사용 설명서를 읽지 않은 사람은 기기를 사용해서는 안됩니다. 경험이 없는 사람이 전동공구를 사용하면 위험합니다.
- ▶ 전동공구 및 액세서리를 조심스럽게 관리하십시오. 가동 부위가 하자 없이 정상적인 기능을 하는지, 걸리는 부위가 있는지, 혹은 전동공구의 기능에 중요한 부품이 손상되지 않았는지 확인하십시오. 손상된 기기의 부품은 전동공구를 다시 사용하기 전에 반드시 수리를 맡기십시오. 제대로 관

리하지 않은 전동공구의 경우 많은 사고를 유발합니다.

- ▶ 절단 공구를 날카롭고 깨끗하게 관리하십시오. 날카로운 절단면이 있고 잘 관리된 절단공구는 걸리는 경우가 드물고 조절하기도 쉽습니다.
- ▶ 전동공구, 액세서리, 장착하는 공구 등을 사용할 때, 이 지시 사항과 특별히 기종 별로 나와있는 사용 방법을 준수하십시오. 이때 작업 조건과 실시하려는 작업 내용을 고려하십시오. 원래 사용 분야가 아닌 다른 작업에 전동공구를 사용할 경우 위험한 상황을 초래할 수 있습니다.
- ▶ 손잡이 및 잡는 면을 건조하게 유지하고, 오일 및 그리스가 묻어 있지 않도록 깨끗하게 하십시오. 손잡이 또는 잡는 면이 미끄러우면 예상치 못한 상황에서 안전한 취급 및 제어가 어려워집니다.

서비스

- ▶ 전동공구 수리는 반드시 전문 인력에게 맡기고, 수리 정비 시 보쉬 순정 부품만을 사용하십시오. 그렇게 함으로써 기기의 안전성을 오래 유지할 수 있습니다.

송풍기 안전 수칙

- ▶ 너도밤나무 분진 또는 물푸레나무 분진, 암석 분진, 석면 등과 같이 건강에 유해한 물질을 흡입하거나 송풍하지 마십시오. 이러한 물질은 암을 유발할 수 있습니다.
- ▶ 액체를 흡입하거나 송풍하지 마십시오. 액체가 유입될 경우 감전의 위험이 높아집니다.
- ▶ 작업장에 환기가 잘 되도록 하십시오.
- ▶ 어린이가 무감독 상태로 전동공구를 사용하는 일이 없도록 하십시오. 어린이가 다칠 수 있습니다.
- ▶ 보안경 및 방독 마스크와 같은 개인 보호 장비를 추가로 착용하십시오. 해당 사항에 맞는 보호 장비를 착용하면 위험한 물질에 접하게 되는 위험을 줄일 수 있습니다.



- ▶ 전동공구를 비에 맞지 않게 하고 습기 있는 곳에 두지 마십시오. 전동공구에 물이 들어가면 감전될 위험이 높습니다.
- ▶ 전동공구를 습기 찬 곳에서 사용해야 할 경우에는 누전 차단기를 사용하십시오. 누전 차단기를 사용하면 감전 위험을 줄일 수 있습니다.
- ▶ 절대로 전원 코드가 손상된 전동공구를 사용하지 마십시오. 작업하다가 전원 코드가 손상된 경우 손상된 코드를 만지지 말고 바로 플러그를 빼십시오. 손상된 전원 코드는 감전을 일으킬 위험이 높습니다.
- ▶ 전원 케이블을 밟거나 누르지 않도록 하십시오. 소켓에서 플러그를 당겨 빼내거나 전동공구를 이동시키기 위해 케이블을 잡지 마십시오. 손상된 전원 케이블은 감전을 일으킬 위험이 높습니다.

- ▶ 공구 설정을 적용거나 액세서리 교환 또는 전동 공구를 분리하기 전에 전원 소켓에서 플러그를 빼내십시오. 이러한 조치는 실수로 전동공구가 작동하게 되는 것을 예방합니다.

제품 및 성능 설명



모든 안전 수칙과 지침을 숙지하십시오. 다음의 안전 수칙과 지침을 준수하지 않으면 화재 위험이 있으며 감전 혹은 중상을 입을 수 있습니다.

사용 설명서 앞 부분에 제시된 그림을 확인하십시오.

규정에 따른 사용

본 전동공구는 건강에 유해하지 않은 물질을 흡입하거나 송풍하는 용도로 사용됩니다.

본 전동공구는 가연성 소재, 금속 칩 및 나사 또는 못 등 날카로운 물건을 흡입 및 송풍 작업하기에 적합하지 않습니다.

제품의 주요 명칭

제품의 주요 명칭에 표기되어 있는 번호는 전동공구의 그림이 나와있는 면을 참고하십시오.

- (1) 손잡이
- (2) 전원 스위치
- (3) 전원 스위치 잠금 버튼
- (4) 공기량 조절 다이얼
- (5) 공기 배출구
- (6) 카본 브러시 캡
- (7) 노즐
- (8) 먼지 백
- (9) 공기 흡입구
- (10) 카본 브러시

제품 사양

송풍기		GBL 800 E	GBL 800 E	GBL 82-270
제품 번호		3 601 J80 454 3 601 J80 4B4	3 601 J80 484	3 601 J80 4..
소비 전력	W	800	820	820
공기량	m ³ /min	4.5	4.5	4.5
기압	mbar	0-72	0-72	0-72
EPTA-Procedure 01:2014에 따른 중량	kg	1.8	1.8	1.8
보호 등급		□/II	□/II	□/II

자료는 정격 전압 [U] 230 V를 기준으로 한 것입니다. 전압이 다른 경우 및 국가별 사양에 따라 변동이 있을 수 있습니다.

같은 제품별로 편차가 있을 수 있으며, 진행하는 작업 및 환경 조건에 따라 달라질 수 있습니다. 보다 자세한 정보는 www.bosch-professional.com/wac에서 확인할 수 있습니다.

송풍기		GBL 800 E	GBL 800 E	GBL 800 E
제품 번호		3 601 J80 4E4	3 601 J80 4N4	3 601 J80 4P4
소비 전력	W	800	800	820
정격 전압	V	220	220	220-240
공기량	m ³ /min	4.5	4.5	4.5
기압	mbar	0-72	0-72	0-72
EPTA-Procedure 01:2014에 따른 중량	kg	1.8	1.8	1.8
보호 등급		□/II	□/II	□/II

해당 정보는 명시된 정격 전압에만 해당됩니다. 전압이 다른 경우 및 국가별 사양에 따라 변동이 있을 수 있습니다.

같은 제품별로 편차가 있을 수 있으며, 진행하는 작업 및 환경 조건에 따라 달라질 수 있습니다. 보다 자세한 정보는 www.bosch-professional.com/wac에서 확인할 수 있습니다.

작동

- ▶ 전동공구를 보수 정비하기 전에 반드시 콘센트에 서 전원 플러그를 빼십시오.

작동 모드

송풍(그림 A 참조)

송풍 모드로 작동하려면 노즐 (7) 을 공기 배출구 (5) 에 화살표 방향을 따라 끼우십시오.

흡입(그림 B 참조)

흡입 모드로 작동하려면 노즐 (7) 을 공기 흡입구 (9) 에 화살표 방향을 따라 끼우십시오.

먼저 백 (8) 을 공기 배출구 (5) 에 끼우십시오.

기계 시동

▶ **전원의 전압에 유의하십시오! 전원의 전압은 전 동공구의 형식라벨에 있는 표시와 일치해야 합니다. 230 로 표시된 전동공구는 220 V에서도 작동 이 가능합니다.**

전원 스위치 작동

전동공구의 전원을 켜려면 전원 스위치 (2) 를 누르 십시오.

전원 스위치 (2) 를 잠금 상태로 두려면 전원 스위 치를 누른 상태로 잠금 버튼 (3) 을 위로 미십시오.

전동공구의 전원을 끄려면 전원 스위치 (2) 에서 손 을 떼십시오. 전원 스위치 (2) 가 잠긴 상태에서는 먼저 전원 스위치를 눌렀다가 손을 떼십시오.

공기량 조절하기

조정 다이얼 (4) 을 돌려 원하는 공기량을 조절하십 시오.

- 시계 방향으로 회전: 공기량 높이기
- 시계 반대 방향으로 회전: 공기량 낮추기

사용 방법

송풍 작업 도중 공기 흡입구 (9) 에 불순물이 흡입 되지 않도록 유의하십시오.

반드시 먼저 주머니를 사용하여 흡입하십시오. 유리 조각이나 뜨거운 촉 또는 금속 칩 등 모서리가 날카롭거나 뜨거운 재질이 흡입되지 않게 하십시오. 흡입할 때 정기적으로 먼지 주머니를 비우십시오. 환경 규정에 맞게 쓰레기를 처리하도록 하십시오. 송풍기를 사용하지 않는 경우, 공기 배출구를 먼지 백으로 막아두어 오염물이나 이물질이 쉐 하우스 안 으로 유입되지 않도록 하십시오.

(보관 시에도) 송풍기 챔버에 딱딱한 물질이 유입될 때마다 환기 장치가 파손되어 작동하는 도중 하우스가 이 파손될 수 있습니다.

보수 정비 및 서비스

보수 정비 및 유지

- ▶ 전동공구를 보수 정비하기 전에 반드시 콘센트에서 전원 플러그를 빼십시오.
- ▶ 안전하고 올바른 작동을 위하여 전동공구와 전동 공구의 통풍구를 항상 깨끗이 하십시오.

연결 코드를 교환해야 할 경우 안전을 기하기 위해 Bosch 또는 Bosch 지정 전동공구 서비스 센터에 맡겨야 합니다.

카본 브러시 교환하기(그림 C 참조)

약 2-3개월마다 카본 브러시의 길이를 확인해 보 고, 필요한 경우 양쪽 카본 브러시를 교환해 주십시오.

반드시 양쪽 카본 브러시를 동시에 교환해 주어야 합니다!

지침: 보쉬사를 통해 판매되며, 귀하의 제품에 맞춰 나온 카본 브러시만 사용하십시오.

- 적합한 스크류 드라이버를 이용해 캡 (6) 을 푸십시오.

- 스프링 압력이 있는 카본 브러시 (10) 를 교환한 후 캡에 다시 나사를 체결하십시오.

카본 브러시를 교환해야 하는 경우: 카본 브러시의 넓은 쪽 표면에 선이나 점으로 된 선이 보입니다. 양 쪽 카본 브러시 중 하나가 이 선까지 마모된 경우, 전기자가 손상되는 것을 방지하기 위해 양쪽 카본 브러시를 즉시 교환해 주어야 합니다.

AS 센터 및 사용 문의

AS 센터에서는 귀하 제품의 수리 및 보수정비, 그리고 부품에 관한 문의를 받고 있습니다. 대체 부품에 관한 분해 조립도 및 정보는 인터넷에서도 찾아 볼 수 있습니다 - www.bosch-pt.com

보쉬 사용 문의 팀에서는 보쉬의 제품 및 해당 액세서리에 관한 질문에 기꺼이 답변 드릴 것입니다.

문의나 대체 부품 주문 시에는 반드시 제품 내임 플레이트에 있는 10자리의 부품번호를 알려 주십시오.

콜센터
080-955-0909

다른 AS 센터 주소는 아래 사이트에서 확인할 수 있습니다:

www.bosch-pt.com/serviceaddresses

처리

기기와 액세서리 및 포장 등은 환경 친화적인 방법으로 재생활 수 있도록 분류하십시오.

전동공구를 가정용 쓰레기로 처리하지 마십시오!



ไทย

คำเตือนเพื่อความปลอดภัย

คำเตือนเพื่อความปลอดภัยทั่วไปสำหรับเครื่องมือไฟฟ้า

☑ คำเตือน

อ่านคำเตือนเพื่อความปลอดภัย คำแนะนำ ภาพประกอบ และข้อมูล

จำเพาะทั้งหมดที่จัดส่งมาพร้อมกับเครื่องมือไฟฟ้า

การไม่ปฏิบัติตามคำแนะนำทั้งหมดที่ระบุไว้ด้านล่างนี้อาจทำให้ถูกไฟฟ้าดูด เกิดไฟไหม้ และ/หรือได้รับบาดเจ็บอย่างร้ายแรง

เก็บรักษาคำเตือนและคำสั่งทั้งหมดสำหรับเปิดอ่านในภายหลัง

คำว่า "เครื่องมือไฟฟ้า" ในคำเตือนหมายถึง เครื่องมือไฟฟ้าของท่านที่ทำงานด้วยพลังงานไฟฟ้าจากแหล่งจ่ายไฟหลัก (มีสายไฟฟ้า) และเครื่องมือไฟฟ้าที่ทำงานด้วยพลังงานไฟฟ้าจากแบตเตอรี่ (ไร้สาย)

ความปลอดภัยในสถานที่ทำงาน

- ▶ **รักษาสถานที่ทำงานให้สะอาดและมีไฟส่องสว่างดี**
สถานที่ที่มีดีหรือกรงรับนำมาซึ่งอุบัติเหตุ
- ▶ **อย่าใช้เครื่องมือไฟฟ้าทำงานในสภาพบรรยากาศที่จุดติดไฟได้ เช่น ในที่มีมีของเหลวไวไฟ ก๊าซ หรือฝุ่น**
เมื่อใช้เครื่องมือไฟฟ้าจะเกิดประกายไฟซึ่งอาจจุดฝุ่นหรือไอให้ลุกเป็นไฟได้
- ▶ **ขณะใช้เครื่องมือไฟฟ้าทำงาน ต้องกันเด็กและผู้ยืนดูให้**
ออกห่าง
การหันเหความสนใจอาจทำให้ท่านขาดการควบคุมเครื่อง

ความปลอดภัยเกี่ยวกับไฟฟ้า

- ▶ **ปลั๊กของเครื่องมือไฟฟ้าต้องเหมาะสมพอดีกับเต้าเสียบ**
อย่าตัดแปลงปลั๊กไม่ว่าในลักษณะใดๆ อย่างเด็ดขาด
อย่าใช้ปลั๊กพ่วงต่อใดๆ กับเครื่องมือไฟฟ้าที่มีสายดิน
ปลั๊กที่ไม่ตัดแปลงและเต้าเสียบที่เข้ากันช่วยลดความเสี่ยงจากการถูกไฟฟ้าดูด
- ▶ **หลีกเลี่ยงอย่าให้ร่างกายสัมผัสกับพื้นผิวที่ต่อสายดินหรือ**
ลงกราวด์ไว้ เช่น ท่อ เครื่องทำความร้อน เตา และตู้
เย็น จะเสี่ยงอันตรายจากการถูกไฟฟ้าดูดมากขึ้นหากกระแสไฟวิ่งผ่านร่างกายของท่านลงดิน
- ▶ **อย่าให้เครื่องมือไฟฟ้าถูกฝนหรืออยู่ในสภาพเปียกชื้น**
หากนำเข้าไปในเครื่องมือไฟฟ้า จะเพิ่มความเสี่ยงจากการถูกไฟฟ้าดูด
- ▶ **อย่าใช้สายไฟฟ้าในทางที่ผิด อย่าใช้สายไฟฟ้าเพื่อยก**
ดึง หรือถอดปลั๊กเครื่องมือไฟฟ้า กันสายไฟฟ้าออกจากความร้อน น้ำมัน ขอบแหลมคม หรือชิ้นส่วนที่เคลื่อนที่ สายไฟฟ้าที่ชำรุดหรือพันกันยุ่งเพิ่มความเสี่ยงจากการถูกไฟฟ้าดูด
- ▶ **เมื่อใช้เครื่องมือไฟฟ้าทำงานกลางแจ้ง ให้ใช้สายไฟ**
ต่อที่เหมาะสมสำหรับงานกลางแจ้ง การใช้สายไฟต่อที่เหมาะสมสำหรับงานกลางแจ้งช่วยลดอันตรายจากการถูกไฟฟ้าดูด
- ▶ **หากไม่สามารถหลีกเลี่ยงการใช้เครื่องมือไฟฟ้าทำงาน**
ในสถานที่เปียกชื้นได้ ให้ใช้สวิตช์ตัดวงจรเมื่อเกิดการรั่วไหลของไฟฟ้าจากสายดิน (RCD) การใช้สวิตช์ตัดวงจรเมื่อเกิดการรั่วไหลของไฟฟ้าจากสายดินช่วยลดความเสี่ยงต่อการถูกไฟฟ้าดูด

ความปลอดภัยของบุคคล

- ▶ **ท่านต้องอยู่ในสภาพเตรียมพร้อม ระมัดระวังในสิ่งที่**
ท่านกำลังทำอยู่ และมีสติขณะใช้เครื่องมือไฟฟ้าทำงาน
อย่าใช้เครื่องมือไฟฟ้าขณะที่ท่านกำลังเหนื่อย หรืออยู่
ภายใต้การครอบงำของฤทธิ์ของยาเสพติด
แอลกอฮอล์ และยา เมื่อใช้เครื่องมือไฟฟ้าทำงาน
ในช่วงเวลาที่ท่านขาดความเอาใจใส่อาจทำให้บุคคลบาดเจ็บอย่างรุนแรงได้
- ▶ **ใช้อุปกรณ์ปกป้องร่างกาย สวมแว่นตาป้องกันเสมอ**
อุปกรณ์ปกป้อง เช่น หน้ากากกันฝุ่น รองเท้ากันลื่น หมวก
แข็ง หรือประคบหูกันเสียงดังที่ใช่ตามความเหมาะสมกับ
สภาพการทำงาน จะลดการบาดเจ็บทางร่างกาย
- ▶ **ป้องกันการติดเครื่องโดยไม่ตั้งใจ ตรวจสอบให้แน่ใจ**
ว่าสวิตช์อยู่ในตำแหน่งปิดก่อนเชื่อมต่อเข้ากับแหล่ง
จ่ายไฟ และ/หรือแบตเตอรี่แพ็ค ยกหรือถือเครื่องมือ
การถือเครื่องโดยใช้นิ้วหัวที่สวิตช์ หรือเสียบปลั๊ก
ไฟฟ้าขณะสวิตช์เปิดอยู่ อาจนำไปสู่อุบัติเหตุที่ร้ายแรงได้
- ▶ **นำเครื่องมือปรับแต่งหรือประแจปากตายออกก่อนเปิด**
สวิตช์เครื่องมือไฟฟ้า เครื่องมือหรือประแจปาก
ตายที่วางอยู่กับส่วนของเครื่องที่กำลังหมุนจะทำให้บุคคล
บาดเจ็บได้
- ▶ **อย่าเอื้อมไกลเกินไป ตั้งทำขึ้นที่มั่นคงและวางน้ำหนักให้**
สมดุลตลอดเวลา ในลักษณะนี้ท่านสามารถควบคุมเครื่อง
มือไฟฟ้าในสถานการณ์ที่ไม่คาดคิดได้ดีกว่า
- ▶ **แต่งกายอย่างเหมาะสม อย่าใส่เสื้อผ้าหลวมหรือสวม**
เครื่องประดับ เข็มและเสื้อผ้าออกห่างจากชิ้นส่วนที่
เคลื่อนที่ เสื้อผ้าหลวม เครื่องประดับ และผม
ยาวอาจเข้าไปติดในชิ้นส่วนที่เคลื่อนที่
- ▶ **หากเครื่องมือไฟฟ้ามีข้อเชื่อมต่อกับเครื่องดูดฝุ่นหรือ**
เครื่องเก็บผง ให้ตรวจสอบให้แน่ใจว่าได้เชื่อมต่อและ
ใช้งานอย่างถูกต้อง การใช้อุปกรณ์ดูด
ฝุ่นช่วยลดอันตรายที่เกิดจากฝุ่นได้
- ▶ **เมื่อใช้งานเครื่องบ่อยครั้งจะเกิดความคุ้นเคย** อย่าให้
ความคุ้นเคยทำให้ท่านเกิดความชะล่าใจและละเลยกฎ
เกณฑ์ด้านความปลอดภัยในการใช้งานเครื่อง การ
ทำงานอย่างไม่ระมัดระวังอาจทำให้เกิดการบาดเจ็บอย่างร้ายแรงภายในเสี้ยววินาที

การใช้และการดูแลรักษาเครื่องมือไฟฟ้า

- ▶ **อย่าฝืนกำลังเครื่องมือไฟฟ้า ใช้เครื่องมือไฟฟ้าที่ถูก**
ต้องตรงตามลักษณะงานของท่าน เครื่องมือไฟฟ้าที่ถูก
ต้องจะทำงานได้ดี
กว่าและปลอดภัยกว่าในระดับสมรรถภาพที่ออกแบบไว้
- ▶ **อย่าใช้เครื่องมือไฟฟ้าถ้าสวิตช์ไม่สามารถเปิดปิดได้**
เครื่องมือไฟฟ้าที่ไม่สามารถควบคุมการเปิดปิดด้วยสวิตช์

ทซ์ได้ เป็นเครื่อง

มือไฟฟ้าที่ไม่ปลอดภัยและต้องสวมหมวก

- ▶ ก่อนปรับแต่งเครื่อง เปลี่ยนอุปกรณ์ประกอบ หรือเก็บเครื่องเข้าที่ ต้องถอดปลั๊กออกจากแหล่งจ่ายไฟ และ/หรือถอดแบตเตอรี่แพ็คเกจจากเครื่องมือไฟฟ้าหากถอดออกได้

มาตรการป้องกันเพื่อความปลอดภัยนี้ช่วยลดความ

เสี่ยงจากการติดเครื่องโดยไม่ตั้งใจ

- ▶ เมื่อเลิกใช้งานเครื่องมือไฟฟ้า ให้เก็บเครื่องไว้ในที่ที่เด็กหยิบไม่ถึง และไม่อนุญาตให้บุคคลที่ไม่คุ้นเคยกับเครื่องหรือบุคคลที่ไม่ได้อ่านคำแนะนำเหล่านี้ใช้เครื่องเครื่องมือไฟฟ้าเป็นของอันตรายหากตกอยู่ในมือของผู้ใช้ที่ไม่ได้รับการฝึกฝน

- ▶ บำรุงรักษาเครื่องมือไฟฟ้าและอุปกรณ์ประกอบ ตรวจสอบชิ้นส่วนที่เคลื่อนที่ว่าว่าง ไม่ตรงแนวหรือติดขัดหรือไม่ ตรวจสอบการแตกหักของชิ้นส่วนและสภาพอื่นใดที่อาจมีผลต่อการทำงานของเครื่องมือไฟฟ้า หากชำรุดต้องส่งเครื่องมือไฟฟ้าไปซ่อมแซมก่อนใช้งาน อุบัติเหตุหลายอย่างเกิดขึ้นเนื่องจากดูแลรักษาเครื่องไม่ดีพอ

- ▶ รักษาเครื่องมือตัดให้คมและสะอาด

หากบำรุงรักษาเครื่องมือที่มีขอบตัดแหลมคมอย่างถูกต้องจะสามารถตัดได้ลื่นไม่ติดขัดและควบคุมได้ง่ายกว่า

- ▶ ใช้เครื่องมือไฟฟ้า อุปกรณ์ประกอบ เครื่องมือ และอุปกรณ์อื่น ๆ ตรงตามคำแนะนำเหล่านี้ โดยคำนึงถึงเงื่อนไขการทำงานและงานที่จะทำ การใช้เครื่องมือไฟฟ้าทำงานที่ต่างไปจากวัตถุประสงค์การใช้งานของเครื่อง อาจนำไปสู่สถานการณ์ที่เป็นอันตรายได้

- ▶ ดูแลตามจับและพื้นผิวจับให้แห้ง สะอาด และปราศจากคราบน้ำมันและจาระบี ตามจับและพื้นผิวจับที่ลื่นทำให้หยิบจับได้ไม่ปลอดภัย และไม่สามารถควบคุมเครื่องมือในสถานการณ์ที่ไม่คาดคิด

การบริการ

- ▶ ส่งเครื่องมือไฟฟ้าของท่านเข้ารับบริการจากช่างซ่อมที่มีคุณสมบัติเหมาะสม โดยใช้อะไหล่ที่เหมือนกันเท่านั้น ในลักษณะนี้ท่านจะแน่ใจได้ว่าเครื่องมือไฟฟ้าอยู่ในสภาพที่ปลอดภัย

คำแนะนำเพื่อความปลอดภัยสำหรับเครื่องเป่าลม

- ▶ อย่าดูหรือเป่าวัสดุที่เป็นอันตรายต่อสุขภาพ ด. ย. เช่น ฝุ่นจากไม้บิชหรือไม้โอ๊ก ฝุ่นของอิฐก่อตึก แอสเบสทอสวัสดุเหล่านี้ถือเป็นสารก่อมะเร็ง

- ▶ อย่าดูหรือเป่าของเหลวใดๆ หากของเหลวเข้าในมอเตอร์ จะเพิ่มความเสี่ยงต่อการถูกไฟฟ้าดูด

- ▶ จัดสถานที่ทำงานให้มีอากาศถ่ายเทที่ดี

- ▶ อย่าปล่อยให้เด็กๆ ใช้เครื่องมือไฟฟ้าโดยไม่ควบคุมดูแล เด็กอาจทำใหตนเองบาดเจ็บได้

- ▶ สวมอุปกรณ์ป้องกันตัวเพิ่มเติม เช่น แว่นครอบตารักษาและหมวกกันน็อก การสวมอุปกรณ์ป้องกันสำหรับเงื่อนไขที่เหมาะสมช่วยลดการสัมผัสสารอันตราย



- ▶ อย่าให้เครื่องมือไฟฟ้าถูกฝนหรืออยู่ในสภาพเปียกชื้น หากน้ำเข้าในเครื่องมือไฟฟ้า จะเพิ่มความเสี่ยงจากการถูกไฟฟ้าดูด

- ▶ หากไม่สามารถหลีกเลี่ยงการใช้เครื่องมือไฟฟ้าทำงานในสถานที่เปียกชื้นได้ ให้ใช้สวิตช์ตัวจอร์เมื่อเกิดการรั่วไหลของไฟฟ้าจากสายดิน (RCD) การใช้สวิตช์ตัวจอร์เมื่อเกิดการรั่วไหลของไฟฟ้าจากสายดินช่วยลดความเสี่ยงต่อการถูกไฟฟ้าดูด

- ▶ อย่าใช้เครื่องมือไฟฟ้าที่สายไฟฟ้าชำรุด อย่าสัมผัสสายไฟฟ้าที่ชำรุด และดึงปลั๊กไฟออกจากสายไฟฟ้าเกิดชำรุดขณะทำงาน สายไฟฟ้าที่ชำรุดเพิ่มความเสี่ยงต่อการเกิดไฟฟ้าดูด

- ▶ อย่าเคลื่อนหับหรือมีบัตต์สายไฟฟ้า อย่าดึงสายไฟฟ้าเพื่อปลดปลั๊กไฟจากเต้าเสียบหรือเพื่อเคลื่อนย้ายเครื่องมือไฟฟ้า สายไฟฟ้าที่ชำรุดจะเพิ่มความเสี่ยงต่อการถูกไฟฟ้าดูด

- ▶ ถอดปลั๊กไฟออกจากเต้าเสียบก่อนทำการปรับแต่งใดๆ ที่เครื่อง เปลี่ยนอุปกรณ์ประกอบ หรือเก็บเครื่องมือไฟฟ้าเข้าที่

มาตรการป้องกันเพื่อความปลอดภัยนี้ช่วยลดความ

เสี่ยงจากการติดเครื่องโดยไม่ตั้งใจ

รายละเอียดผลิตภัณฑ์และข้อมูล

จำเพาะ



อ่านค่าเตือนเพื่อความปลอดภัยและค่า

แนะนำทั้งหมด การไม่ปฏิบัติตามค่าเตือนและคำสั่งอาจเป็นสาเหตุให้ถูกไฟฟ้าดูด เกิดไฟไหม้ และ/หรือได้รับบาดเจ็บอย่างร้ายแรง

กรุณาดูภาพประกอบในส่วนหน้าของคู่มือการใช้งาน

ประโยชน์การใช้งานของเครื่อง

เครื่องมือไฟฟ้า

นี้ใช้สำหรับดูดและเป่าวัสดุที่ไม่เป็นอันตรายต่อสุขภาพ

เครื่องมือไฟฟ้าไม่เหมาะสำหรับดูดหรือเป่าวัสดุไวไฟ เศษโลหะ และวัตถุมีคม เช่น สกรู หรือตะปู

ส่วนประกอบที่แสดงภาพ

ลำดับเลขของส่วนประกอบผลิตภัณฑ์อ้างอิงถึงส่วนประกอบของเครื่องมือไฟฟ้าที่แสดงในหน้าภาพประกอบ

- (1) ด้ามจับ
- (2) สวิตช์เปิด-ปิด
- (3) ปุ่มล๊อคให้สวิตช์เปิด-ปิดทำงาน

- (4) ปุ่มหมุนสำหรับควบคุมปริมาณลม
- (5) ทางลมออก
- (6) ฝาครอบสำหรับแรงดัน
- (7) ท่อลม
- (8) ลูกเก็บผง
- (9) ทางลมเข้า
- (10) แรงดัน

ข้อมูลทางเทคนิค

เครื่องเป่าลม		GBL 800 E	GBL 800 E	GBL 82-270
หมายเลขสินค้า		3 601 J80 454 3 601 J80 4B4	3 601 J80 484	3 601 J80 4..
กำลังไฟฟ้กักตื้นฟูต	วัตต์	800	820	820
ปริมาณลม	ม. ³ /นาที	4.5	4.5	4.5
ความดันลม	มิลลิบาร์	0-72	0-72	0-72
น้ำหนักตามระเบียบการ EPTA-Procedure 01:2014	กก.	1.8	1.8	1.8
ระดับการป้องกัน		□/II	□/II	□/II

ค่าที่ให้นี้ใช้ได้กับแรงดันไฟฟ้าอามินอล [U] 230 โวลต์ค่าเหล่านี้อาจเปลี่ยนแปลงไปสำหรับแรงดันไฟฟ้าที่แตกต่างกันและโมเดลที่ผลิตสำหรับเฉพาะประเทศ

ค่าอาจแตกต่างกันไปตามผลิตภัณฑ์และขึ้นอยู่กับเงื่อนไขการใช้งานและสภาพแวดล้อม โปรดดูข้อมูลเพิ่มเติมที่เว็บไซต์ www.bosch-professional.com/wac

เครื่องเป่าลม		GBL 800 E	GBL 800 E	GBL 800 E
หมายเลขสินค้า		3 601 J80 4E4	3 601 J80 4N4	3 601 J80 4P4
กำลังไฟฟ้กักตื้นฟูต	วัตต์	800	800	820
แรงดันไฟฟ้กัก	โวลต์	220	220	220-240
ปริมาณลม	ม. ³ /นาที	4.5	4.5	4.5
ความดันลม	มิลลิบาร์	0-72	0-72	0-72
น้ำหนักตามระเบียบการ EPTA-Procedure 01:2014	กก.	1.8	1.8	1.8
ระดับการป้องกัน		□/II	□/II	□/II

ข้อมูลนี้ใช้กับแรงดันไฟฟ้าที่ระบุ ค่าเหล่านี้อาจเปลี่ยนแปลงไปสำหรับแรงดันไฟฟ้าที่แตกต่างกันและโมเดลที่ผลิตสำหรับเฉพาะประเทศ

ค่าอาจแตกต่างกันไปตามผลิตภัณฑ์และขึ้นอยู่กับเงื่อนไขการใช้งานและสภาพแวดล้อม โปรดดูข้อมูลเพิ่มเติมที่เว็บไซต์ www.bosch-professional.com/wac

การปฏิบัติงาน

- ▶ ดึงปลั๊กไฟออกจากเต้าเสียบก่อนปรับแต่งเครื่อง

รูปแบบการทำงาน

การเป่า (ดูภาพประกอบ A)

สำหรับรูปแบบการทำงานการเป่า ให้สวมท่อลม (7) เข้ายันทางลมออก (5) ให้แน่นตามเครื่องหมายลูกศร

การดูด (ดูภาพประกอบ B)

สำหรับรูปแบบการทำงานการดูด ให้สวมท่อลม (7) เข้าบนทางลมเข้า (9) ให้แน่นตามเครื่องหมายลูกศร

นอกจากนี้ยังต้องสวมถุงเก็บผง (8) เข้าบนทางลมออก (5) เสมอ

การเริ่มต้นปฏิบัติงาน

▶ ให้สังเกตแรงดันไฟฟ้า! แรง

ดันไฟฟ้าจากแหล่งจ่ายไฟฟ้าต้องมีค่าตรงกับค่าแรงดันไฟฟ้าที่ระบุไว้บนเครื่องมือไฟฟ้า เครื่องมือไฟฟ้าที่มีเครื่องหมาย 230 โวลต์ สามารถใช้งานกับ 220 โวลต์ได้ด้วย

การเปิด-ปิดเครื่อง

เปิดสวิตช์เครื่องมือไฟฟ้าโดยกดสวิตช์เปิด-ปิด (2)

ล็อคสวิตช์เปิด-ปิด (2) โดยกดสวิตช์เปิด-ปิดค้างไว้และกดปุ่มล็อคสวิตช์เปิด-ปิด (3) เพิ่ม

ปิดสวิตช์เครื่องมือไฟฟ้าโดยปล่อยนิ้วจากสวิตช์เปิด-ปิด (2) หากสวิตช์เปิด-ปิด (2) ถูกล็อคอยู่ ให้กดสวิตช์เปิด-ปิดก่อน แล้วจึงปล่อยนิ้ว

การควบคุมการไหลของลม

หมุนปุ่ม (4) เพื่อปรับปริมาณลมที่ต้องการ

- ตามเข็มนาฬิกา: เพิ่มปริมาณลม
- ทวนเข็มนาฬิกา: ลดปริมาณลม

ข้อแนะนำในการทำงาน

ในระหว่างเฝ้า ต้องระมัดระวังอย่าให้สิ่งสกปรกใดๆ ถูกดูดเข้าไปในช่องลมเข้า (9)

อย่าดูดโดยไม่สวมถุงเก็บผงอย่างเด็ดขาด

อย่าดูดวัสดุที่มีขอบแหลมคมหรือวัสดุที่มีความร้อน เช่น เศษแก้ว แก้ว ถ่านร้อนๆ หรือเศษโลหะ

ต้องถ่ายถุงเก็บผงเป็นประจำเมื่อคุณฝุ่นปฏิบัติตามกฎระเบียบเกี่ยวกับสิ่งแวดล้อมเมื่อทิ้งขยะ

หากไม่ได้ใช้พัดลม ให้ปิดถุงลมด้วยถุงเก็บฝุ่นเพื่อป้องกันสิ่งสกปรกหรือสิ่งแปลกปลอมเข้าสู่ตัวเรือนพัดลม

การบ่อนวัสดุที่เป็นของแข็งใด ๆ ลงในช่องระเบิด (แม้ในระหว่างการเก็บรักษา) อาจส่งผลให้พัดลมแตกและทำให้การแตกของตัวเรือนระหว่างการใช้งานได้

การบำรุงรักษาและการบริการ

การบำรุงรักษาและการทำความสะอาด

▶ ดึงปลั๊กไฟออกจากเต้าเสียบก่อนปรับแต่งเครื่อง

▶ เพื่อให้ทำงานได้อย่างถูกต้องและปลอดภัย ต้องรักษาเครื่องและช่องระบายอากาศให้สะอาดอยู่เสมอ

หากจำเป็นต้องเปลี่ยนสายไฟฟ้า ต้องส่งเครื่องให้ Bosch หรือศูนย์บริการหลังการขายที่ได้รับมอบหมายสำหรับเครื่องมือไฟฟ้า Bosch เปลี่ยนให้ ทั้งนี้เพื่อหลีกเลี่ยงอันตราย

การเปลี่ยนแปรงถ่าน (ดูภาพประกอบ C)

ตรวจสอบความยาวของแปรงถ่านประมาณทุกๆ 2-3 เดือน และเปลี่ยนแปรงถ่านใหม่ หากจำเป็น

อย่าเปลี่ยนแปรงถ่านเพียงแท่งเดียวอย่างเด็ดขาด!

หมายเหตุ: ใช้เฉพาะแปรงถ่านที่ บอช จัดส่งและมีไว้สำหรับผลิตภัณฑ์ของท่านเท่านั้น

- ชั้นสกรูครอบ (6) ออกโดยใช้ไขควงที่เหมาะสมกัน
- เปลี่ยนแปรงถ่านภายใต้แรงดันสปริง (10) และชั้นสกรูฝาครอบกลับเข้าที่เดิม

เกณฑ์การเปลี่ยนแปรงถ่าน: บนพื้นผิวขนาดใหญ่ที่ด้านใดด้านหนึ่งของแปรงถ่านแต่ละแท่งปรากฏเส้นประหรือจุดไขว้ปลาหากแปรงถ่านหนึ่งในสองแท่งถูกใช้สึกไปถึงเส้นนี้ ควรเปลี่ยนแปรงถ่านทั้งสองแท่งทันทีเพื่อป้องกันคอมมิวเตเตอร์จากความเสียหายที่อาจเกิดขึ้นได้

การบริการหลังการขายและการให้คำปรึกษาการใช้งาน

ศูนย์บริการหลังการขายของเรายินดีตอบคำถามของท่านที่เกี่ยวกับการบำรุงรักษาและการซ่อมแซมผลิตภัณฑ์รวมทั้งเรื่องอะไหล่ ภาพเขียนแบบการประกอบและข้อมูลเกี่ยวกับอะไหล่ กรุณาดูใน: www.bosch-pt.com

ทีมงานที่ปรึกษาของ บอช ยินดีให้ข้อมูลเกี่ยวกับผลิตภัณฑ์ของเราและอุปกรณ์ประกอบต่างๆ

เมื่อต้องการสอบถามและสั่งซื้ออะไหล่ กรุณาแจ้งหมายเลขสินค้า 10 หลักบนแผ่นป้ายรุ่นของผลิตภัณฑ์ทุกครั้ง

ไทย

ไทย บริษัท โรเบิร์ต บอช จำกัด

เอพวยไอ เซ็นเตอร์ อาคาร 1 ชั้น 5

เลขที่ 2525 ถนนพระราม 4

แขวงคลองเตย เขตคลองเตย กรุงเทพฯ 10110

โทร: +66 2012 8888

แฟกซ์: +66 2064 5800

www.bosch.co.th

ศูนย์บริการซ่อมและฝึกอบรม บอช

อาคาร ลานชาลาทาวเวอร์ ชั้น G ห้องเลขที่ 2

บ้านเลขที่ 10/11 หมู่ 16

ถนนศรีนครินทร์ ตำบลบางแก้ว อำเภอบางพลี

จังหวัดสมุทรปราการ 10540

ประเทศไทย

โทรศัพท์ 02 7587555

โทรสาร 02 7587525

สามารถดูที่อยู่ศูนย์บริการอื่นๆ ได้ที่:

www.bosch-pt.com/serviceaddresses

การกำจัดขยะ

เครื่องมือไฟฟ้า อุปกรณ์ประกอบ และหีบห่อ ต้องนำไปแยกประเภทวัสดุเพื่อการรีไซเคิลที่เป็นมิตรต่อสิ่งแวดล้อม



อย่าทิ้งเครื่องมือไฟฟ้าลงในขยะบ้าน!

Bahasa Indonesia

Petunjuk Keselamatan

Petunjuk keselamatan umum untuk perkakas listrik

⚠ PERINGATAN Baca semua peringatan, petunjuk, ilustrasi, dan spesifikasi keselamatan yang diberikan bersama perkakas listrik ini. Kesalahan dalam menjalankan petunjuk di bawah ini dapat mengakibatkan sengatan listrik, kebakaran, dan/atau cedera serius.

Simpanlah semua peringatan dan petunjuk untuk penggunaan di masa mendatang.

Istilah "perkakas listrik" dalam peringatan mengacu pada perkakas listrik yang dioperasikan dengan listrik (menggunakan kabel) atau perkakas listrik yang dioperasikan dengan baterai (tanpa kabel).

Keamanan tempat kerja

- ▶ **Jaga kebersihan dan pencahayaan area kerja.** Area yang berantakan atau gelap dapat memicu kecelakaan.
- ▶ **Jangan mengoperasikan perkakas listrik di lingkungan yang dapat memicu ledakan, seperti adanya cairan, gas, atau debu yang mudah terbakar.** Perkakas listrik dapat memancarkan bunga api yang kemudian mengakibatkan debu atau uap terbakar.
- ▶ **Jauhkan dari jangkauan anak-anak dan pengamat saat mengoperasikan perkakas listrik.** Gangguan dapat menyebabkan hilangnya kendali.

Keamanan listrik

- ▶ **Steker perkakas listrik harus sesuai dengan stopkontak.** Jangan pernah memodifikasi steker. **Jangan menggunakan steker adaptor bersama dengan perkakas listrik yang terhubung dengan sistem grounding.** Steker yang tidak dimodifikasi dan

stopkontak yang cocok akan mengurangi risiko sengatan listrik.

- ▶ **Hindari kontak badan dengan permukaan yang terhubung dengan sistem grounding, seperti pipa, radiator, kompor, dan lemari es.** Terdapat peningkatan risiko terjadinya sengatan listrik jika badan Anda terhubung dengan sistem grounding.
- ▶ **Perkakas listrik tidak boleh terpapar hujan atau basah.** Air yang masuk ke dalam perkakas listrik menambah risiko terjadinya sengatan listrik.
- ▶ **Jangan menyalahgunakan kabel. Jangan gunakan kabel untuk membawa, menarik, atau melepas steker perkakas listrik. Jauhkan kabel dari panas, minyak, tepi yang tajam, atau komponen yang bergerak.** Kabel listrik yang rusak atau tersangkut menambah risiko terjadinya sengatan listrik.
- ▶ **Saat mengoperasikan perkakas listrik di luar ruangan, gunakan kabel ekstensi yang sesuai untuk penggunaan di luar ruangan.** Penggunaan kabel yang cocok untuk pemakaian di luar ruangan mengurangi risiko terjadinya sengatan listrik.
- ▶ **Jika perkakas listrik memang harus dioperasikan di tempat yang lembap, gunakan pemutus arus listrik residu (RCD).** Penggunaan RCD akan mengurangi risiko terjadinya sengatan listrik.

Keselamatan personel

- ▶ **Tetap waspada, perhatikan aktivitas yang sedang dikerjakan dan gunakan akal sehat saat mengoperasikan perkakas listrik. Jangan gunakan perkakas listrik saat mengalami kelelahan atau di bawah pengaruh narkoba, alkohol, atau obat-obatan.** Jika perkakas listrik dioperasikan dengan daya konsentrasi yang rendah, hal tersebut dapat menyebabkan cedera serius.
- ▶ **Gunakan peralatan pelindung diri. Selalu kenakan pelindung mata.** Penggunaan perlengkapan pelindung seperti penutup telinga, helm, sepatu anti licin, dan masker debu akan mengurangi cedera.
- ▶ **Hindari start yang tidak disengaja. Pastikan switch berada di posisi off sebelum perkakas listrik dihubungkan ke sumber daya listrik dan/atau baterai, diangkat, atau dibawa.** Membawa perkakas listrik dengan jari menempel pada tombol atau perkakas listrik dalam keadaan hidup dapat memicu kecelakaan.
- ▶ **Singkirkan kunci penyatel atau kunci pas sebelum menghidupkan perkakas listrik.** Kunci pas atau kunci pas yang masih menempel pada komponen perkakas listrik yang berputar dapat menyebabkan cedera.
- ▶ **Jangan melampaui batas. Berdirilah secara mantap dan selalu jaga keseimbangan.** Hal ini akan memberikan kontrol yang lebih baik terhadap perkakas listrik pada situasi yang tak terduga.
- ▶ **Kenakan pakaian dengan wajar. Jangan mengenakan perhiasan atau pakaian yang longgar. Jauhkan rambut dan pakaian dari komponen yang bergerak.**

Pakaian yang longgar, rambut panjang, atau perhiasan dapat tersangkut dalam komponen yang bergerak.

- ▶ **Jika disediakan perangkat untuk sambungan pengisapan debu dan alat pengumpulan, pastikan perangkat tersebut terhubung dan digunakan dengan benar.** Penggunaan alat pengumpulan dapat mengurangi bahaya yang disebabkan oleh debu.
- ▶ **Jangan berpuas diri dan mengabaikan prinsip keselamatan karena terbiasa mengoperasikan perkakas.** Tindakan yang kurang hati-hati dapat mengakibatkan cedera serius dalam waktu sepersekian detik.

Penggunaan dan pemeliharaan perkakas listrik

- ▶ **Jangan memaksakan perkakas listrik. Gunakan perkakas listrik yang sesuai untuk pekerjaan yang dilakukan.** Perkakas listrik yang sesuai akan bekerja dengan lebih baik dan aman sesuai tujuan penggunaan.
- ▶ **Jangan gunakan perkakas listrik dengan switch yang tidak dapat dioperasikan.** Perkakas listrik yang switchnya yang tidak berfungsi dapat menimbulkan bahaya dan harus diperbaiki.
- ▶ **Lepaskan steker dari sumber listrik dan/atau lepas baterai, jika dapat dilepaskan dari perkakas listrik sebelum menyatel, mengganti aksesoris, atau menyimpan perkakas listrik.** Tindakan preventif akan mengurangi risiko menghidupkan perkakas listrik secara tidak disengaja.
- ▶ **Jauhkan dan simpan perkakas listrik dari jangkauan anak-anak dan jangan biarkan orang-orang yang tidak mengetahui cara menggunakan perkakas listrik, mengoperasikan perkakas listrik.** Perkakas listrik dapat membahayakan jika digunakan oleh orang-orang yang tidak terlatih.
- ▶ **Lakukan pemeliharaan perkakas listrik dan aksesoris. Periksa komponen yang bergerak apabila tidak lurus atau terikat, kerusakan komponen, dan kondisi lain yang dapat mengganggu pengoperasian perkakas listrik. Apabila rusak, perbaiki perkakas listrik sebelum digunakan.** Kecelakaan sering terjadi karena perkakas listrik tidak dirawat dengan baik.
- ▶ **Jaga ketajaman dan kebersihan alat.** Alat pemotong dengan pisau pemotong yang tajam dan dirawat dengan baik tidak akan mudah tersangkut dan lebih mudah dikendalikan.
- ▶ **Gunakan perkakas listrik, aksesoris, dan komponen perkakas dll sesuai dengan petunjuk ini, dengan mempertimbangkan kondisi kerja dan pekerjaan yang akan dilakukan.** Penggunaan perkakas listrik untuk tujuan berbeda dari fungsinya dapat menyebabkan situasi yang berbahaya.
- ▶ **Jaga gagang dan permukaan genggam agar tetap kering, bersih, dan bebas dari minyak dan lemak.** Gagang dan permukaan genggam yang licin tidak menjamin keamanan kerja dan kontrol alat yang baik pada situasi yang tidak terduga.

Servis

- ▶ **Minta teknisi berkualifikasi untuk menyervis perkakas listrik dengan hanya menggunakan suku cadang yang identik.** Dengan demikian, hal ini akan memastikan keamanan perkakas listrik.

Petunjuk keamanan alat pengembus

- ▶ **Jangan gunakan alat untuk mengisap dan meniup bahan-bahan yang membahayakan kesehatan seperti serbuk debu dari kayu ek, kayu beech, bebatuan, dan asbes.** Bahan-bahan tersebut termasuk zat karsinogenik.
- ▶ **Jangan gunakan alat untuk mengisap dan meniupkan cairan.** Masuknya cairan ke dalam alat dapat meningkatkan risiko sengatan listrik.
- ▶ **Upayakanlah agar ada pertukaran udara di tempat kerja.**
- ▶ **Jangan biarkan anak-anak menggunakan perkakas listrik tanpa pengawasan.** Anak-anak bisa melukai diri sendiri.
- ▶ **Gunakan sarana pelindung pribadi tambahan seperti kacamata pelindung dan masker antidebu.** Memakai sarana pelindung sesuai dengan pekerjaan yang dilakukan dapat mengurangi bahaya yang disebabkan oleh bahan-bahan yang mengancam kesehatan.



- ▶ **Perkakas listrik tidak boleh terpapar hujan atau basah.** Air yang masuk ke dalam perkakas listrik menambah risiko terjadinya sengatan listrik.
- ▶ **Jika perkakas listrik memang harus dioperasikan di tempat yang lembap, gunakan pemutus arus listrik residu (RCD).** Penggunaan RCD akan mengurangi risiko terjadinya sengatan listrik.
- ▶ **Jangan gunakan perkakas listrik jika kabelnya rusak. Jangan menyentuh kabel yang rusak dan tariklah steker dari stopkontak jika kabel rusak selama digunakan.** Kabel yang rusak membuat risiko terjadinya kontak listrik menjadi lebih besar.
- ▶ **Kabel jangan sampai tertarik atau tertindih. Jangan menarik kabel saat akan melepas plug dari stopkontak atau menggerakkan perkakas listrik.** Kabel yang rusak meningkatkan risiko terjadinya sengatan listrik.
- ▶ **Lepaskan plug dari stopkontak sebelum menjalankan pengaturan perangkat, Ganti komponen atau simpan perkakas listrik.** Tindakan keselamatan kerja ini mengurangi bahaya perkakas listrik hidup secara tidak disengaja.

Spesifikasi produk dan performa



Bacalah semua petunjuk keselamatan dan petunjuk penggunaan. Kesalahan dalam menjalankan petunjuk keselamatan dan petunjuk penggunaan dapat mengakibatkan kontak listrik, kebakaran, dan/atau luka-luka yang berat.

Perhatikan ilustrasi yang terdapat pada sisi sampul panduan pengoperasian.

Tujuan penggunaan

Perkakas listrik ini cocok untuk mengisap dan meniup bahan-bahan yang tidak berbahaya bagi kesehatan.

Perkakas listrik ini **tidak** cocok digunakan untuk mengisap dan meniup material yang mudah terbakar, serpihan logam dan benda-benda tajam seperti sekrup atau paku.

Data teknis

Alat pengembus		GBL 800 E	GBL 800 E	GBL 82-270
Nomor barang		3 601 J80 454 3 601 J80 4B4	3 601 J80 484	3 601 J80 4..
Input daya nominal	W	800	820	820
Volume udara	m ³ /min	4,5	4,5	4,5
Tekanan udara	mbar	0-72	0-72	0-72
Berat sesuai dengan EPTA-Procedure 01:2014	kg	1,8	1,8	1,8
Tingkat perlindungan		□/II	□/II	□/II

Data-data berlaku untuk tegangan nominal [U] 230 V. Pada tegangan yang lebih rendah dan pada model khusus mancanegara data-data ini bisa berlainan.

Nilai dapat berbeda-beda bergantung pada produk dan mungkin tunduk pada kondisi lingkungan serta penggunaan. Informasi lebih lanjut pada www.bosch-professional.com/wac.

Alat pengembus		GBL 800 E	GBL 800 E	GBL 800 E
Nomor barang		3 601 J80 4E4	3 601 J80 4N4	3 601 J80 4P4
Input daya nominal	W	800	800	820
Tegangan nominal	V	220	220	220-240
Volume udara	m ³ /min	4,5	4,5	4,5
Tekanan udara	mbar	0-72	0-72	0-72
Berat sesuai dengan EPTA-Procedure 01:2014	kg	1,8	1,8	1,8
Tingkat perlindungan		□/II	□/II	□/II

Informasi berlaku untuk tegangan nominal yang ditentukan. Data-data ini dapat bervariasi pada tegangan yang berbeda dan pada model khusus tiap negara.

Nilai dapat berbeda-beda bergantung pada produk dan mungkin tunduk pada kondisi lingkungan serta penggunaan. Informasi lebih lanjut pada www.bosch-professional.com/wac.

Penggunaan

- **Sebelum mulai dengan pekerjaan pada perkakas listrik, tariklah steker dari stopkontak.**

Mode pengoperasian

Meniup (lihat gambar A)

Untuk mode pengoperasian Meniup, pasang nozel (7) dengan kencang sesuai tanda panah ke outlet udara (5).

Ilustrasi komponen

Penomoran ilustrasi komponen mengacu pada gambar perkakas listrik pada halaman grafis.

- (1) Gagang
- (2) Tombol on/off
- (3) Tombol pengunci untuk tombol on/off
- (4) Roda untuk mengatur banyaknya udara
- (5) Outlet udara
- (6) Kap pelindung untuk carbon brush
- (7) Nozel
- (8) Kantung debu
- (9) Outlet udara
- (10) Carbon brush

Mengisap (lihat gambar B)

Untuk mode pengoperasian Mengisap, pasang nozel (7) dengan kencang sesuai tanda panah ke outlet udara (9). Selalu pasang kantung debu (8) ke outlet udara (5).

Pengoperasian

- **Perhatikan tegangan listrik! Tegangan sumber listrik harus sesuai dengan informasi yang tercantum pada label perkakas listrik. Perkakas listrik dengan daya**

sebesar 230 V seperti yang diindikasikan pada label juga dapat dioperasikan pada daya 220 V.

Menghidupkan/mematikan perkakas listrik

Untuk **menghidupkan** perkakas listrik, tekan tombol on/off (2).

Untuk **mengunci** tombol on/off (2), tekan dan tahan tombol pengunci untuk tombol on/off (3).

Untuk **mematikan** perkakas listrik, lepaskan tombol on/off (2). Jika tombol on/off (2) terkunci, tekan terlebih dahulu tombol tersebut, kemudian lepaskan.

Mengatur banyaknya udara

Putar roda (4) untuk mengatur kuantitas udara yang diinginkan:

- sesuai arah jarum jam: meningkatkan kuantitas udara
- berlawanan arah jarum jam: mengurangi kuantitas udara

Petunjuk pengoperasian

Pastikan outlet udara (9) tidak dapat mengisap kotoran selama proses meniup.

Jangan pernah melakukan pengisapan tanpa menggunakan kantung debu.

Jangan mengisap benda-benda yang tajam atau panas seperti serpihan kaca, abu atau serbuk logam yang panas.

Kosongkan kantung debu secara berkala saat melakukan pengisapan. Perhatikan peraturan untuk melindungi lingkungan hidup saat membuang isi kantung debu.

Jika alat pengembus tidak digunakan, tutup outlet udara dengan kantong pengumpul debu untuk mencegah kotoran atau partikel asing memasuki housing kipas.

Tiap benda padat yang masuk ke dalam ruang alat pengembus (bahkan saat disimpan) dapat mengakibatkan kerusakan pada ventilator dan dengan demikian mengakibatkan kerusakan pada housing saat melakukan pengerjaan.

Perawatan dan servis

Perawatan dan pembersihan

- ▶ **Sebelum mulai dengan pekerjaan pada perkakas listrik, tariklah steker dari stopkontak.**
- ▶ **Perkakas listrik dan lubang ventilasi harus selalu dibersihkan agar perkakas dapat digunakan dengan baik dan aman.**

Jika kabel listrik harus diganti, pekerjaan ini harus dilakukan oleh **Bosch** atau Service Center untuk perkakas listrik **Bosch** resmi agar keselamatan kerja selalu terjamin.

Mengganti carbon brush (lihat gambar C)

Periksalah panjang carbon brush kira-kira 2–3 bulan sekali, dan jika perlu, ganti kedua carbon brush.

Jangan pernah hanya mengganti satu carbon brush!

Catatan: Hanya gunakan carbon brush yang disediakan oleh Bosch yang cocok untuk produk Anda.

- Buka kap pelindung (6) dengan obeng yang sesuai.
- Ganti carbon brush (10) yang berada di bawah tekanan pegas dan pasang kembali kap pelindung.

Kriteria penggantian carbon brush: garis putus-putus atau titik-titik dapat dikenali pada salah satu sisi permukaan carbon brush yang luas. Jika salah satu carbon brush aus sampai garis ini, kedua carbon brush harus segera digantikan untuk melindungi komutator terhadap kerusakan yang bisa terjadi.

Layanan pelanggan dan konsultasi penggunaan

Layanan pelanggan Bosch menjawab semua pertanyaan Anda tentang reparasi dan perawatan serta tentang suku cadang produk ini. Gambaran teknis (exploded view) dan informasi mengenai suku cadang dapat ditemukan di:

www.bosch-pt.com

Tim konsultasi penggunaan Bosch akan membantu Anda menjawab pertanyaan seputar produk kami beserta aksesorinya.

Jika Anda hendak menanyakan sesuatu atau memesan suku cadang, selalu sebutkan nomor model yang terdiri dari 10 angka dan tercantum pada label tipe produk.

Indonesia

PT Robert Bosch Indonesia
Arkadia Green Park Tower G – 7th floor
Jl. Let. Jend. TB. Simatupang Kav.88
Jakarta 12520
Tel.: (021) 3005 5800
Fax: (021) 3005 5801
E-Mail: boschpowertools@id.bosch.com
www.bosch-pt.co.id

Alamat layanan lainnya dapat ditemukan di:

www.bosch-pt.com/serviceaddresses

Cara membuang

Perkakas listrik, aksesoris, dan kemasan sebaiknya didaur ulang secara ramah lingkungan.



Jangan membuang perkakas listrik ke dalam tempat sampah rumah tangga!

Tiếng Việt

Hướng dẫn an toàn

Hướng dẫn an toàn chung cho dụng cụ điện

⚠ CẢNH BÁO Hãy đọc toàn bộ các cảnh báo an toàn, hướng dẫn, hình ảnh và thông số kỹ thuật được cung cấp cho dụng cụ điện cầm tay này. Không tuân thủ

mọi hướng dẫn được liệt kê dưới đây có thể bị điện giật, gây cháy và /hay bị thương tật nghiêm trọng.

Hãy giữ tất cả tài liệu về cảnh báo và hướng dẫn để tham khảo về sau.

Thuật ngữ "dụng cụ điện cầm tay" trong phần cảnh báo là đề cập đến sự sử dụng dụng cụ điện cầm tay của bạn, loại sử dụng điện nguồn (có dây cắm điện) hay vận hành bằng pin (không dây cầm điện).

Khu vực làm việc an toàn

- ▶ **Giữ nơi làm việc sạch và đủ ánh sáng.** Nơi làm việc bừa bộn và tối tăm dễ gây ra tai nạn.
- ▶ **Không vận hành dụng cụ điện cầm tay trong môi trường dễ gây nổ, chẳng hạn như nơi có chất lỏng dễ cháy, khí đốt hay rác.** Dụng cụ điện cầm tay tạo ra các tia lửa nên có thể làm rác bén cháy hay bốc khói.
- ▶ **Không để trẻ em hay người đến xem đứng gần khi vận hành dụng cụ điện cầm tay.** Sự phân tâm có thể gây ra sự mất điều khiển.

An toàn về điện

- ▶ **Phích cắm của dụng cụ điện cầm tay phải thích hợp với ổ cắm.** Không bao giờ được cải biến lại phích cắm dưới mọi hình thức. Không được sử dụng phích tiếp hợp nối tiếp đất (dây mát). Phích cắm nguyên bản và ổ cắm đúng loại sẽ làm giảm nguy cơ bị điện giật.
- ▶ **Tránh không để thân thể tiếp xúc với đất hay các vật có bề mặt tiếp đất như đường ống, lò sưởi, hàng rào và tủ lạnh.** Có nhiều nguy cơ bị điện giật hơn nếu cơ thể bạn bị tiếp hay nối đất.
- ▶ **Không được để dụng cụ điện cầm tay ngoài mưa hay ở tình trạng ẩm ướt.** Nước vào máy sẽ làm tăng nguy cơ bị điện giật.
- ▶ **Không được lạm dụng dây dẫn điện.** Không bao giờ được nắm dây dẫn để xách, kéo hay rút phích cắm dụng cụ điện cầm tay. Không để dây gần nơi có nhiệt độ cao, dầu nhớt, vật nhọn bén và bộ phận chuyển động. Làm hỏng hay cuộn rối dây dẫn làm tăng nguy cơ bị điện giật.
- ▶ **Chỉ sử dụng dụng cụ điện cầm tay ngoài trời, dùng dây nối thích hợp cho việc sử dụng ngoài trời.** Sử dụng dây nối thích hợp cho việc sử dụng ngoài trời làm giảm nguy cơ bị điện giật.
- ▶ **Nếu việc sử dụng dụng cụ điện cầm tay ở nơi ẩm ướt là không thể tránh được, dùng thiết bị ngắt mạch tự động (RCD) bảo vệ nguồn.** Sử dụng thiết bị ngắt mạch tự động RCD làm giảm nguy cơ bị điện giật.

An toàn cá nhân

- ▶ **Hãy tỉnh táo, biết rõ mình đang làm gì và hãy sử dụng ý thức khi vận hành dụng cụ điện cầm tay.** Không sử dụng dụng cụ điện cầm tay khi đang mệt mỏi hay đang bị tác động do chất gây nghiện, rượu hay được phẩm gây ra. Một thoáng mất tập trung khi đang vận hành

dụng cụ điện cầm tay có thể gây thương tích nghiêm trọng cho bản thân.

- ▶ **Sử dụng trang bị bảo hộ cá nhân. Luôn luôn đeo kính bảo vệ mắt.** Trang bị bảo hộ như khẩu trang, giày chống trượt, nón bảo hộ, hay dụng cụ bảo vệ tai khi được sử dụng đúng nơi đúng chỗ sẽ làm giảm nguy cơ thương tật cho bản thân.
- ▶ **Phòng tránh máy khởi động bất ngờ. Bảo đảm công tắc máy ở vị trí tắt trước khi cắm vào nguồn điện và/hay lắp pin vào, khi nhấn máy lên hay khi mang xách máy.** Ngáng ngón tay vào công tắc máy để xách hay kích hoạt dụng cụ điện cầm tay khi công tắc ở vị trí mở dễ dẫn đến tai nạn.
- ▶ **Lấy mọi chìa hay khóa điều chỉnh ra trước khi mở điện dụng cụ điện cầm tay.** Khóa hay chìa còn gắn dính vào bộ phận quay của dụng cụ điện cầm tay có thể gây thương tích cho bản thân.
- ▶ **Không rướn người. Luôn luôn giữ tư thế đứng thích hợp và thăng bằng.** Điều này tạo cho việc điều khiển dụng cụ điện cầm tay tốt hơn trong mọi tình huống bất ngờ.
- ▶ **Trang phục thích hợp. Không mặc quần áo rộng lung tung hay mang trang sức. Giữ tóc và quần áo xa khỏi các bộ phận chuyển động.** Quần áo rộng lung tung, đồ trang sức hay tóc dài có thể bị cuốn vào các bộ phận chuyển động.
- ▶ **Nếu có các thiết bị đi kèm để nối máy hút bụi và các phụ kiện khác, bảo đảm các thiết bị này được nối và sử dụng tốt.** Việc sử dụng các thiết bị gom hút bụi có thể làm giảm các độc hại liên quan đến bụi gây ra.
- ▶ **Không để thói quen do sử dụng thường xuyên dụng cụ khiến bạn trở nên chủ quan và bỏ qua các quy định an toàn dụng cụ.** Một hành vi bất cẩn có thể gây ra thương tích nghiêm trọng chỉ trong tích tắc.

Sử dụng và bảo dưỡng dụng cụ điện cầm tay

- ▶ **Không được ép máy. Sử dụng dụng cụ điện cầm tay đúng loại theo đúng ứng dụng của bạn.** Dụng cụ điện cầm tay đúng chức năng sẽ làm việc tốt và an toàn hơn theo đúng tiến độ mà máy được thiết kế.
- ▶ **Không sử dụng dụng cụ điện cầm tay nếu như công tắc không tắt và mở được.** Bất kỳ dụng cụ điện cầm tay nào mà không thể điều khiển được bằng công tắc là nguy hiểm và phải được sửa chữa.
- ▶ **Rút phích cắm ra khỏi nguồn điện và/hay pin ra khỏi dụng cụ điện cầm tay nếu có thể tháo được, trước khi tiến hành bất kỳ điều chỉnh nào, thay phụ kiện, hay cất dụng cụ điện cầm tay.** Các biện pháp ngăn ngừa như vậy làm giảm

nguy cơ dụng cụ điện cầm tay khởi động bất ngờ.

- ▶ **Cất giữ dụng cụ điện cầm tay không dùng tới nơi trẻ em không lấy được và không cho người chưa từng biết dụng cụ điện cầm tay hay các hướng dẫn này sử dụng dụng cụ điện cầm tay.** Dụng cụ điện cầm tay nguy hiểm khi ở trong tay người chưa được chỉ cách sử dụng.
- ▶ **Bảo quản dụng cụ điện cầm tay và các phụ kiện.** Kiểm tra xem các bộ phận chuyển động có bị sai lệch hay kẹt, các bộ phận bị rạn nứt và các tình trạng khác có thể ảnh hưởng đến sự vận hành của máy. Nếu bị hư hỏng, phải sửa chữa máy trước khi sử dụng. Nhiều tai nạn xảy ra do bảo quản dụng cụ điện cầm tay tồi.
- ▶ **Giữ các dụng cụ cất bên và sạch.** Bảo quản đúng cách các dụng cụ cất có cạnh cất bên làm giảm khả năng bị kẹt và dễ điều khiển hơn.
- ▶ **Sử dụng dụng cụ điện cầm tay, phụ kiện, đầu cài v. v., đúng theo các chỉ dẫn này, hãy lưu ý đến điều kiện làm việc và công việc phải thực hiện.** Sự sử dụng dụng cụ điện cầm tay khác với mục đích thiết kế có thể tạo nên tình huống nguy hiểm.
- ▶ **Giữ tay cầm và bề mặt nắm luôn khô ráo, sạch sẽ và không dính dầu mỡ.** Tay cầm và bề mặt nắm trơn trượt không đem lại thao tác an toàn và kiểm soát dụng cụ trong các tình huống bất ngờ.

Bảo dưỡng

- ▶ **Đưa dụng cụ điện cầm tay của bạn đến thợ chuyên môn để bảo dưỡng, chỉ sử dụng phụ tùng đúng chủng loại để thay.** Điều này sẽ đảm bảo sự an toàn của máy được giữ nguyên.

Cảnh báo an toàn dành cho máy thổi

- ▶ **Không hút và thổi các chất có hại cho sức khỏe, ví dụ như bụi gỗ sợi hoặc bụi gỗ dẻ gai, bụi đá, amiăng.** Những chất này được coi là chất gây ung thư.
- ▶ **Không hút và thổi chất lỏng.** Chất lỏng thấm vào sẽ làm tăng nguy cơ giật điện.
- ▶ **Tạo cho nơi làm việc được thông thoáng tốt.**
- ▶ **Không để trẻ em sử dụng dụng cụ điện cầm tay khi không có người lớn giám sát.** Trẻ em có thể tự gây thương tích cho chúng.
- ▶ **Mang trang bị bảo hộ cá nhân bổ sung như kính bảo vệ và mặt nạ phòng độc.** Trang bị các thiết bị bảo hộ thích hợp với hiện trạng lao động để làm giảm sự phơi nhiễm với các chất độc hại.



- ▶ **Không được để dụng cụ điện cầm tay ngoài mưa hay ở tình trạng ẩm ướt.** Nước vào máy sẽ làm tăng nguy cơ bị điện giật.
- ▶ **Nếu việc sử dụng dụng cụ điện cầm tay ở nơi ẩm ướt là không thể tránh được, dùng thiết bị ngắt mạch tự động (RCD) bảo vệ nguồn.** Sử dụng thiết bị ngắt mạch tự động RCD làm giảm nguy cơ bị điện giật.
- ▶ **Không bao giờ được sử dụng máy có dây dẫn bị hỏng.** Không được chạm vào dây dẫn bị hỏng và kéo phích cắm điện nguồn ra trong lúc vận hành mà dây dẫn bị hỏng. Dây dẫn bị hỏng làm tăng nguy cơ bị điện giật.
- ▶ **Không chạy qua hoặc dè bẹp cáp.** Không kéo dây cáp để rút phích khỏi ổ cắm hoặc để di chuyển dụng cụ điện. Dây dẫn bị hỏng làm tăng nguy cơ bị điện giật.
- ▶ **Rút phích cắm ra khỏi nguồn điện trước khi tiến hành bất kỳ điều chỉnh nào, thay phụ kiện, hay cất dụng cụ điện cầm tay.** Các biện pháp ngăn ngừa như vậy làm giảm nguy cơ dụng cụ điện cầm tay khởi động bất ngờ.

Mô Tả Sản Phẩm và Đặc Tính Kỹ Thuật



Đọc kỹ mọi cảnh báo an toàn và mọi hướng dẫn. Không tuân thủ mọi cảnh báo và hướng dẫn được liệt kê dưới đây có thể bị điện giật, gây cháy và / hay bị thương tật nghiêm trọng.

Xin lưu ý các hình minh họa trong phần trước của hướng dẫn vận hành.

Sử dụng đúng cách

Máy được thiết kế để hút và thổi các loại vật liệu không gây độc hại đối với sức khỏe con người. Dụng cụ điện **không** phù hợp để hút và thổi các vật liệu dễ cháy, phoi kim loại và vật sắc như đinh vít hoặc đinh.

Các bộ phận được minh họa

Việc đánh số các thành phần đã minh họa liên quan đến mô tả dụng cụ điện trên trang hình ảnh.

- (1) Tay Nắm
- (2) Công tắc Tắt/Mở
- (3) Nút khoá giữ chế độ tự-chạy của công tắc Tắt/Mở
- (4) Núm xoay điều độ khối lượng khí

40 | Tiếng Việt

- (5) Lỗ thoát khí
- (6) Nắp đậy chổi than
- (7) Vòi ống

- (8) Túi chứa bụi
- (9) Lỗ lấy khí
- (10) Chổi than

Thông số kỹ thuật

Máy thổi		GBL 800 E	GBL 800 E	GBL 82-270
Mã số máy		3 601 J80 454 3 601 J80 4B4	3 601 J80 484	3 601 J80 4..
Công suất vào danh định	W	800	820	820
Khối lượng khí	m ³ /min	4,5	4,5	4,5
Áp suất khí	mbar	0-72	0-72	0-72
Trọng lượng theo Quy trình EPTA-Procedure 01:2014	kg	1,8	1,8	1,8
Cấp độ bảo vệ		□/II	□/II	□/II

Các giá trị đã cho có hiệu lực cho điện thế danh định [U] 230 V. Đối với điện thế thấp hơn và các loại máy dành riêng cho một số quốc gia, các giá trị này có thể thay đổi.

Các giá trị có thể khác nhau tùy thuộc vào sản phẩm và tùy thuộc vào ứng dụng và điều kiện môi trường. Xem thêm thông tin chi tiết trên trang www.bosch-professional.com/wac.

Máy thổi		GBL 800 E	GBL 800 E	GBL 800 E
Mã số máy		3 601 J80 4E4	3 601 J80 4N4	3 601 J80 4P4
Công suất vào danh định	W	800	800	820
Điện thế danh định	V	220	220	220-240
Khối lượng khí	m ³ /min	4,5	4,5	4,5
Áp suất khí	mbar	0-72	0-72	0-72
Trọng lượng theo Quy trình EPTA-Procedure 01:2014	kg	1,8	1,8	1,8
Cấp độ bảo vệ		□/II	□/II	□/II

Các thông số được áp dụng cho điện áp danh định đã chỉ định. Đối với điện thế thấp hơn và các loại máy dành riêng cho một số quốc gia, các giá trị này có thể thay đổi.

Các giá trị có thể khác nhau tùy thuộc vào sản phẩm và tùy thuộc vào ứng dụng và điều kiện môi trường. Xem thêm thông tin chi tiết trên trang www.bosch-professional.com/wac.

Vận Hành

- ▶ **Trước khi tiến hành bất cứ việc gì trên máy, kéo phích cắm điện nguồn ra.**

Chế độ hoạt động

Thổi (xem hình A)

Để bật chế độ Thổi, hãy cắm chắc đầu phun (7) vào lỗ thoát khí (5) theo vạch mũi tên.

Hút (xem hình B)

Để bật chế độ Hút, hãy cắm chắc đầu phun (7) vào lỗ thoát khí (9) theo vạch mũi tên.

Luôn lắp thêm túi chứa bụi (8) vào lỗ thoát khí (5).

Bắt Đầu Vận Hành

- ▶ **Hãy cẩn thận với nguồn điện! Điện thế của nguồn điện cung cấp phải tương ứng với số liệu ghi trên nhãn loại máy của thiết bị điện. Dụng cụ điện được ghi 230 V cũng có thể được vận hành ở 220 V.**

Bật/Tắt

Để **Bật** dụng cụ điện, bấm công tắc Tắt/Mở (2).

Để **Khóa** công tắc Tắt/Mở (2), hãy bấm giữ công tắc này và bấm thêm nút khóa giữ của công tắc Tắt/Mở (3).

Để **Tắt** dụng cụ điện, hãy nhả công tắc Tắt/Mở (2). Khi công tắc Tắt/Mở (2) đang khóa, hãy bấm nút này trước sau đó nhả nó ra.

Sự Điều độ Luồng khí

Vặn núm xoay (4), để điều chỉnh luồng khí theo ý muốn:

- **Thuận chiều kim đồng hồ:** Tăng luồng khí
- **Ngược chiều kim đồng hồ:** Giảm luồng khí

Hướng Dẫn Sử Dụng

Lưu ý sao cho lỗ thoát khí (9) không hút phải tạp chất trong khi thổi.

Không bao giờ được hút mà không gắn túi chứa bụi.

Không hút các vật liệu có cạnh sắc hoặc đang nóng như mảnh kính vỡ, tro nóng hoặc bào phổi kim loại.

Khi hút, nên thường xuyên đổ sạch bao đựng bụi. Tuân thủ các qui định về môi trường khi đổ bỏ chất thải.

Nếu quạt gió không được sử dụng, hãy đóng lỗ thoát khí có túi gom bụi, để tránh bụi bẩn hoặc các hạt nhỏ xâm nhập vào vỏ quạt thông khí.

Bất kỳ vật liệu cứng nào xâm nhập vào buồng quạt gió (ngay cả trong khi bảo quản) có thể làm vỡ quạt thông gió và do đó, làm vỡ phần vỏ trong quá trình làm việc.

Bảo Dưỡng và Bảo Quản

Bảo Dưỡng Và Làm Sạch

- ▶ **Trước khi tiến hành bất cứ việc gì trên máy, kéo phích cắm điện nguồn ra.**
- ▶ **Để được an toàn và máy hoạt động đúng chức năng, luôn luôn giữ máy và các khe thông gió được sạch.**

Nếu như cần phải thay dây dẫn điện thì công việc này phải do hãng **Bosch**, hay một đại lý được **Bosch** ủy nhiệm thực hiện để tránh gặp sự nguy hiểm do mất an toàn.

Thay chổi than (xem hình C)

Kiểm tra độ dài của chổi than cứ 2–3 tháng một lần, và thay thế cả hai chổi than nếu cần.

Không bao giờ chỉ thay mỗi một chổi than mà thôi!

Lưu ý: Chỉ sử dụng chổi than được cung cấp qua Bosch, phù hợp với sản phẩm của bạn.

- Tháo nắp (6) bằng tước-nơ-vít phù hợp.
- Thay chổi than hiện tại (10) dưới áp lực lò xo và bắt vít trở lại cho nắp.

Tiêu chuẩn để thay chổi than: Trên mặt bên lớn của chổi than, có thể nhìn thấy một vạch đứt nét hoặc chấm chấm. Khi một trong hai chổi than đã mòn tận vạch ngang này, nếu thế, ta nên thay cả hai chổi than ngay lập tức để bảo vệ phần ứng, tránh khả năng gây hư hỏng.

Dịch vụ hỗ trợ khách hàng và tư vấn sử dụng

Bộ phận phục vụ hàng sau khi bán của chúng tôi trả lời các câu hỏi liên quan đến việc bảo dưỡng và sửa chữa các sản phẩm cũng như phụ tùng thay thế của bạn. Sơ đồ mô tả và thông tin về phụ tùng thay thế cũng có thể tra cứu theo dưới đây:

www.bosch-pt.com

Đội ngũ tư vấn sử dụng của Bosch sẽ giúp bạn giải đáp các thắc mắc về sản phẩm và phụ kiện.

Trong tất cả các phản hồi và đơn đặt phụ tùng, xin vui lòng luôn luôn nhập số hàng hóa 10 chữ số theo nhãn của hàng hóa.

Việt Nam

CN CÔNG TY TNHH BOSCH VIỆT NAM TẠI TP.HCM

Tầng 14, Ngôi Nhà Đức, 33 Lê Duẩn
Phường Bến Nghé, Quận 1, Thành Phố Hồ Chí Minh

Tel.: (028) 6258 3690

Fax: (028) 6258 3692 - 6258 3694

Hotline: (028) 6250 8555

Email: tuvankhachhang-pt@vn.bosch.com

www.bosch-pt.com.vn

www.baohanhbosch-pt.com.vn

Xem thêm địa chỉ dịch vụ tại:

www.bosch-pt.com/serviceaddresses

Sự thải bỏ

Máy, linh kiện và bao bì phải được phân loại để tái chế theo hướng thân thiện với môi trường.



Không được thải bỏ dụng cụ điện vào chung với rác sinh hoạt!

مخصص للاستعمال الخارجي من خطر الصدمات الكهربائية.

◀ **إن لم يكن بالإمكان تجنب تشغيل العدة الكهربائية في الأجواء الرطبة، فاستخدم مفتاح للوقاية من التيار المتخلف.** إن استخدام مفتاح للوقاية من التيار المتخلف يقلل خطر الصدمات الكهربائية.

أمان الأشخاص

◀ **كن يقظا وانتبه إلى ما تفعله واستخدم العدة الكهربائية بتعقل.** لا تستخدم عدة كهربائية عندما تكون متعبا أو عندما تكون تحت تأثير المخدرات أو الكحول أو الأدوية. عدم الانتباه للحظة واحدة عند استخدام العدة الكهربائية قد يؤدي إلى إصابات خطيرة.

◀ **قم لارتداء تجهيزات الحماية الشخصية.** وارتد دائما نظارات واقية. يعد ارتداء تجهيزات الحماية الشخصية، كقناع الوقاية من الغبار وأحذية الأمان الواقية من الانزلاق والوذو أو واقية الأذنين، حسب ظروف استعمال العدة الكهربائية، من خطر الإصابة بجروح.

◀ **تجنب التشغيل بشكل غير مقصود.** تأكد من كون العدة الكهربائية مطفأة قبل توصيلها بالتيار الكهربائي و/أو بالمركم، وقبل رفعها أو حملها. إن كنت تضع إصبعك على المفتاح أثناء حمل العدة الكهربائية أو إن وصلت الجهاز بالشبكة الكهربائية بينما لامفتاح على وضع التشغيل، قد يؤدي إلى وقوع الحوادث.

◀ **انزع أداة الضبط أو مفتاح الربط قبل تشغيل العدة الكهربائية.** قد تؤدي الأداة أو المفتاح المتواجد في جزء دوار من الجهاز إلى الإصابة بجروح.

◀ **تجنب أوضاع الجسم غير الطبيعية.** قف بأمان وحافظ على توازنك دائما. سيسمح لك ذلك بالتمكّن في الجهاز بشكل أفضل في المواقف الغير متوقعة.

◀ **قم بارتداء ثياب مناسبة.** لا ترتد الثياب الفضفاضة أو الملّية. احرص على إبقاء الشعر والملابس بعيدا عن الأجزاء المتحركة. قد تتشابك الثياب الفضفاضة والملّية والشعر الطويل بالأجزاء المتحركة.

◀ **إن جاز تركيب تجهيزات شفط وتجميع الغبار، فتأكد من أنها موصولة وبأنه يتم استخدامها بشكل سليم.** قد يقلل استخدام تجهيزات لشفط الغبار من المخاطر الناتجة عن الغبار.

◀ **لا تستخدم العدة الكهربائية بلا مبالاة وتجاهل قواعد الأمان الخاصة بها نتيجة لتعودك على استخدام العدة الكهربائية وكثرة استخدامها.** فقد يتسبب الاستخدام دون حرص في حدوث إصابة بالغة تحدث في أجزاء من الثانية.

حسن معاملة واستخدام العدد الكهربائية

◀ **لا تفرط بتحميل الجهاز.** استخدم لتفنيذ أشغالك العدة الكهربائية المخصصة لذلك. إنك تعمل بشكل أفضل وأكثر أماناً بواسطة العدة الكهربائية الملائمة في مجال الأداء المذكور.

◀ **لا تستخدم العدة الكهربائية إن كان مفتاح تشغيلها تالف.** العدة الكهربائية التي لم يعد من

عربي

إرشادات الأمان

الإرشادات العامة للأمان بالعدد الكهربائية

تحذير

اطلع على كافة تحذيرات الأمان والتعليمات والصور والمواصفات المرفقة بالعدة الكهربائية. عدم اتباع التعليمات الواردة أدناه قد يؤدي إلى حدوث صدمة كهربائية، إلى نشوب حريق و/أو الإصابة بجروح خطيرة.

احتفظ بجميع الملاحظات التحذيرية والتعليمات للمستقبل.

يقصد بمصطلح «العدة الكهربائية» المستخدم في الملاحظات التحذيرية، العدد الكهربائي الموصولة بالشبكة الكهربائية (بواسطة كابل الشبكة الكهربائية) وأيضا العدد الكهربائي المزودة بمركم (دون كابل الشبكة الكهربائية).

الأمان بمكان الشغل

◀ **حافظ على نظافة مكان شغلك وإضاءته بشكل جيد.** الفوضى في مكان الشغل ونطاقات العمل غير المضاءة قد تؤدي إلى وقوع الحوادث.

◀ **لا تشغل بالعدة الكهربائية في نطاق معرض لخطر الانفجار مثل الأماكن التي تتوفر فيه السوائل أو الغازات أو الأبخرة القابلة للاشتعال.** العدد الكهربائي تولد شررا قد يتطاير، فيشعل الأبخرة والأبخرة.

◀ **حافظ على بقاء الأطفال وغيرهم من الأشخاص بعيدا عندما تستعمل العدة الكهربائية.** تشتيت الانتباه قد يتسبب في فقدان السيطرة على الجهاز.

الأمان الكهربائي

◀ **يجب أن يتلائم قابس العدة الكهربائية مع المقبس.** لا يجوز تغيير القابس بأي حال من الأحوال. لا تستعمل القوايس المهائية مع العدد الكهربائية المؤرضة (ذات طرف أرضي). تخفّض القوايس التي لم يتم تغييرها والمقابس الملائمة من خطر الصدمات الكهربائية.

◀ **تجنب ملامسة جسمك للأسطح المؤرضة كالأنابيب والمبردات والمواقد أو التلّجات.** يزداد خطر الصدمات الكهربائية عندما يكون جسمك مؤرض أو موصل بالأرضي.

◀ **أبعد العدة الكهربائية عن الأمطار أو الرطوبة.** يزداد خطر الصدمات الكهربائية إن تسرب الماء إلى داخل العدة الكهربائية.

◀ **لا تسيّ استعمال الكابل.** لا تستخدم الكابل في حمل العدة الكهربائية أو سحبها أو سحب القابس من المقبس. احرص على إبعاد الكابل عن الحرارة والزيت والحواف الحادة أو الأجزاء المتحركة. تزيد الكابلات التالفة أو المتشابكة من خطر الصدمات الكهربائية.

◀ **عند استخدام العدة الكهربائية خارج المنزل اقتصر على استخدام كابلات التمديد الصالحة للاستعمال الخارجي.** يقلل استعمال كابل تمديد



- ◀ أبعد العدد الكهربائية عن الأمطار أو الرطوبة. يزداد خطر الصدمات الكهربائية إن تسرب الماء إلى داخل العدة الكهربائية.
- ◀ إن لم يكن بالإمكان تجنب تشغيل العدة الكهربائية في الأجواء الرطبة، فاستخدم مفتاح للوقاية من التيار المتخلف. إن استخدام مفتاح للوقاية من التيار المتخلف يقلل خطر الصدمات الكهربائية.
- ◀ لا تستعمل العدة الكهربائية إن كان الكابل الكهربائي تالف. لا تلمس الكابل التالف واسحب قابس الشبكة الكهربائية إن أصيب الكابل بتلف أثناء مزاوله الشغل. تزيد الكابلات الكهربائية التالفة من خطر الإصابة بصدمة كهربائية.
- ◀ لا تقم بدس الكابل أو تعرضه للانحصار. لا تسحب الكابل بغرض فصل القابس من المقبس أو تحريك العدة الكهربائية. تزيد الكابلات الكهربائية التالفة من خطر التعرض لصدمة كهربائية.
- ◀ قم بسحب القابس من المقبس قبل القيام بتغيير أو وضع ضبط الجهاز، أو تغيير الأجزاء الملحقة، أو وضع العدة الكهربائية جانباً. تمنع إجراءات الاحتياط هذه تشغيل العدة الكهربائية بشكل غير مقصود.

وصف المنتج والأداء

- ◀ اقرأ جميع إرشادات الأمان والتعليمات. ارتكاب الأخطاء عند تطبيق إرشادات الأمان والتعليمات، قد يؤدي إلى حدوث صدمات كهربائية أو إلى نشوب الحرائق و/أو الإصابة بجروح خطيرة.



يرجى الرجوع إلى الصور الموجودة في الجزء الأول من دليل التشغيل.

الاستعمال المطابق للتعليمات

العدة الكهربائية مناسبة لإزالة الخامات غير الخطرة على الصحة عن طريق الشفط والنفخ. العدة الكهربائية غير مناسبة لإزالة المواد القابلة للاشتعال والنشارة المعدنية والأشياء المادية مثل اللوالب والمسامير عن طريق الشفط أو النفخ.

الأجزاء المصورة

يشير ترقيم الأجزاء المصورة إلى الصورة المعروضة للعدة الكهربائية في صفحة الرسوم.

- (1) مقبض
- (2) مفتاح التشغيل والإطفاء
- (3) زر تثبيت مفتاح التشغيل والإطفاء
- (4) عجلة ضبط لضبط كمية الهواء
- (5) مخرج الهواء

- الممكن التحكم بها عن طريق مفتاح التشغيل والإطفاء تعتبر خطيرة ويجب أن يتم إصلاحها.
 - ◀ اسحب القابس من المقبس و/أو اخلع المركم، إذا كان قابلاً للخلع، قبل ضبط الجهاز وقبل استبدال الملحقات أو قبل تخزين الجهاز. تمنع هذه الإجراءات وقائية تشغيل العدة الكهربائية بشكل غير مقصود.
 - ◀ احتفظ بالعدد الكهربائية التي لا يتم استخدامها بعيداً عن متناول الأطفال. لا تسمح باستخدام العدة الكهربائية لمن لا خبرة له بها أو لمن لم يقرأ تلك التعليمات. العدد الكهربائية خطيرة إن تم استخدامها من قبل أشخاص دون خبرة.
 - ◀ اعتن بالعدة الكهربائية والملحقات بشكل جيد. تأكد أن أجزاء الجهاز المتحركة مركبة بشكل سليم وغير مستعصية عن الحركة، وتفحص ما إن كانت هناك أجزاء مكسورة أو في حالة تؤثر على سلامة أداء العدة الكهربائية. ينبغي إصلاح هذه الأجزاء التالفة قبل إعادة تشغيل الجهاز. الكثير من الموادث مصدرها العدد الكهربائية التي تتم صيانتها بشكل رديء.
 - ◀ احرص على إبقاء عدد القطع نظيفة وحادة. إن عدد القطع ذات حواف القطع المادية التي تم صيانتها بعناية تتكلم بشكل أقل ويمكن توجيهها بشكل أيسر.
 - ◀ استخدم العدد الكهربائية والتوابع وربش الشغل إلخ. وفقاً لهذه التعليمات. تراعى أثناء ذلك ظروف الشغل والعمل المراد تنفيذه. استخدام العدد الكهربائية لغير الأشغال المخصصة لأجلها قد يؤدي إلى حدوث الحالات الخطيرة.
 - ◀ احرص على إبقاء المقابض وأسطح المسك جافة ونظيفة وخالية من الزيوت والشحوم. المقابض وأسطح المسك الزلقة لا تتبع التشغيل والتحكم الآمن في العدة في المواقف غير المتوقعة.
- الخدمة**
- ◀ احرص على إصلاح عدتك الكهربائية فقط بواسطة العمال المتخصصين وباستعمال قطع الغيار الأصلية فقط. يضمن ذلك المحافظة على أمان الجهاز.
- ملاحظات الأمان للمنفخ**
- ◀ لا تقم بشفط خامات مضرّة بالصحة أو نفخها، مثل غبار خشب الزان أو خشب البلوط أو غبار الحجارة أو الأسبستوس. حيث تعتبر هذه المواد من مسببات السرطان.
 - ◀ لا تقم بشفط مواد سائلة أو نفخها. يزداد خطر التعرض لصدمة كهربائية في حالة تسرب السوائل.
 - ◀ قم بتوفير تهوية مناسبة في مكان العمل.
 - ◀ لا تدع الأطفال يستخدمون العدة الكهربائية دون مراقبة. الأطفال قد يصيبوا أنفسهم بجروح.
 - ◀ احرص على ارتداء تجهيزات الحماية الشخصية مثل النظارة الواقية وقلع حماية التنفس. إن ارتداء تجهيزات الوقاية الشخصية بظروف معينة يقلل التعرض للمواد الخطيرة.

(9) مدخل الهواء
(10) فرش فحمية

(6) أغطية فرش الفحم
(7) منفت
(8) كيس الغبار

البيانات الفنية

المروحة	GBL 82-270	GBL 800 E	GBL 800 E	رقم الصنف
	3 601 J80 4..	3 601 J80 484	3 601 J80 454 3 601 J80 4B4	
قدرة الدخل الاسمية	820	820	800	واط
حجم الهواء	4,5	4,5	4,5	متر ³ /دقيقة
ضغط الهواء	0-72	0-72	0-72	ملي بار
الوزن حسب EPTA-Procedure 01:2014	1,8	1,8	1,8	كجم
فئة الحماية	II/□	II/□	II/□	

تسري البيانات على جهد اسمي [U] يبلغ 230 فلف. قد تختلف تلك البيانات حسب اختلاف الجهد والطرقات الخاصة بكل دولة.
قد تختلف القيم حسب المنتج وظروف الاستخدام والبيئة. المزيد من المعلومات على موقع الإنترنت www.bosch-professional.com/wac.

المروحة	GBL 800 E	GBL 800 E	GBL 800 E	رقم الصنف
	3 601 J80 4P4	3 601 J80 4N4	3 601 J80 4E4	
قدرة الدخل الاسمية	820	800	800	واط
الجهد الاسمي	240-220	220	220	فلف
حجم الهواء	4,5	4,5	4,5	متر ³ /دقيقة
ضغط الهواء	0-72	0-72	0-72	ملي بار
الوزن حسب EPTA-Procedure 01:2014	1,8	1,8	1,8	كجم
فئة الحماية	II/□	II/□	II/□	

تسري البيانات على القيم الاسمية المقررة. قد تختلف تلك البيانات حسب اختلاف الجهد والطرقات الخاصة بكل دولة.
قد تختلف القيم حسب المنتج وظروف الاستخدام والبيئة. المزيد من المعلومات على موقع الإنترنت www.bosch-professional.com/wac.

لغرض تثبيت مفتاح التشغيل والإطفاء (2) احتفظ به مضغوطاً، واضغط بشكل إضافي على زر تثبيت مفتاح التشغيل والإطفاء (3).
لغرض إطفاء العدة الكهربائية، اترك مفتاح التشغيل والإطفاء (2). في حالة ثبات زر التشغيل والإطفاء (2)، اضغط عليه أولاً ثم اتركه بعد ذلك.

ضبط كمية الهواء

أدر طارة الضبط (4)، لضبط كمية الهواء المرغوبة:
- في اتجاه عقارب الساعة: زيادة كمية الهواء
- عكس اتجاه عقارب الساعة: تقليل كمية الهواء

إرشادات العمل

احرص على عدم السماح لمدخل الهواء (9) بشفط الأوساخ أثناء عملية النفخ.
لا تقوم بعملية الشفط دون كيس الغبار إطلاقاً.
لا تقم بشفط مواد ساخنة أو ذات حواف حادة، مثل شظايا الزجاج المكسور أو الرماد الساخن أو النشارة المعدنية.
أفرغ كيس الغبار بشكل منتظم عند إجراء أعمال الشفط. تراعى تشريعات حماية البيئة عند التخلص من النفايات.

في حالة عدم استخدام نافخ الغبار قم بغلق مخرج الهواء بزجاجة جمع الغبار لمنع وصول الاتساخات والجسيمات الغريبة إلى جسم المروحة.

التشغيل

◀ اسحب القابس من مقبس الشبكة الكهربائية قبل إجراء أي عمل على العدة الكهربائية.

طرق التشغيل

النفخ (انظر الصورة A)

بالنسبة لنوع التشغيل النفخ قم بتثبيت الفوهة (7) وفقاً لعلامة السهم على مخرج الهواء بإحكام (5).

الشفط (انظر الصورة B)

بالنسبة لنوع التشغيل الشفط قم بتثبيت الفوهة (7) وفقاً لعلامة السهم على مدخل الهواء بإحكام (9).
احرص دائماً وبشكل إضافي على تركيب كيس الغبار (8) على مخرج الهواء (5).

بدء التشغيل

◀ يراعى جهد الشبكة الكهربائية! يجب أن يتطابق جهد منبع التيار مع المعلومات المذكورة على لافتة طراز العدة الكهربائية. يمكن أن يتم تشغيل العدد الكهربائية المميزة بعلامة 230 فلف في مقبس 220 فلف أيضاً.

التشغيل والإيقاف

لغرض تشغيل العدة الكهربائية، اضغط على مفتاح التشغيل/الإطفاء (2).

لا ترم عدد الكهربية ضمن النفايات المنزلية.



في حالة دخول مادة صلبة لحجرة نافخ الغبار (أثناء التخزين أيضا) فقد يؤدي هذا إلى انكسار المروحة، وبالتالي انكسار جسم الجهاز أثناء العمل.

الصيانة والخدمة

الصيانة والتنظيف

◀ اسحب القابس من مقبس الشبكة الكهربائية قبل إجراء أي عمل على العدة الكهربائية.

◀ للعمل بشكل جيد وأمن حافظ دائما على نظافة العدة الكهربائية وفتحات التهوية .

إذا تطلب الأمر استبدال خط الإمداد، فينبغي أن يتم ذلك من قبل شركة Bosch أو من قبل مركز خدمة الزبائن المعتمد لشركة Bosch للعدد الكهربية، لتجنب التعرض للمخاطر.

تغيير الفرش الفحمية (انظر الصورة C)

تفحص طول الفرش الفحمية بعد كل شهرين - ثلاثة أشهر تقريبا واستبدل الفرشتين الفحميتين عند الضرورة.

لا تستبدل أبدا فرشاة فحمية واحدة فقط.

إرشاد: استخدم فقط الفرش الفحمية المشتراة من شركة بوش والمخصصة لهذا المنتج.

- قم بفك الأغشية (6) بواسطة مفك براغي ملائم.
- استبدل الفرش الفحمية (10) الخاضعة لضغط نابضي، وأعد ربط الأغشية بإحكام.

شروط استبدال الفرش الفحمية: يظهر خط منقط أو مخطط على السطح الجانبي الكبير للفرشاة الفحمية. في حال استهلاك إحدى الفرشتين الفحميتين إلى حد هذا الخط، توجب استبدال الفرشتين الفحميتين فوراً من أجل وقاية عاكس التيار في عضو الانتاج من أي تلف محتمل.

خدمة العملاء واستشارات الاستخدام

يجيب مركز خدمة العملاء على الأسئلة المتعلقة بإصلاح المنتج وصيانته، بالإضافة لقطع الغيار. تجد الرسوم التفصيلية والمعلومات الخاصة بقطع الغيار في الموقع: www.bosch-pt.com

يسر فريق Bosch لاستشارات الاستخدام مساعدتك إذا كان لديك أي استفسارات بخصوص منتجاتنا وملحقاتها.

يلزم ذكر رقم الصنف ذو الثانات العشر وفقاً للوحة صنع المنتج عند إرسال أية استفسارات أو طلبيات قطع غيار.

المغرب

Robert Bosch Morocco SARL

53، شارع الملازم محمد محروود

20300 الدار البيضاء

الهاتف: 212 5 29 31 43 27+

البريد الإلكتروني: sav.outillage@ma.bosch.com

تجد المزيد من عناوين الخدمة تحت:

www.bosch-pt.com/serviceaddresses

التخلص من العدة الكهربائية

ينبغي تسليم العدد الكهربية والتوابع والعبوة إلى مركز معالجة النفايات بطريقة محافظة على البيئة.